

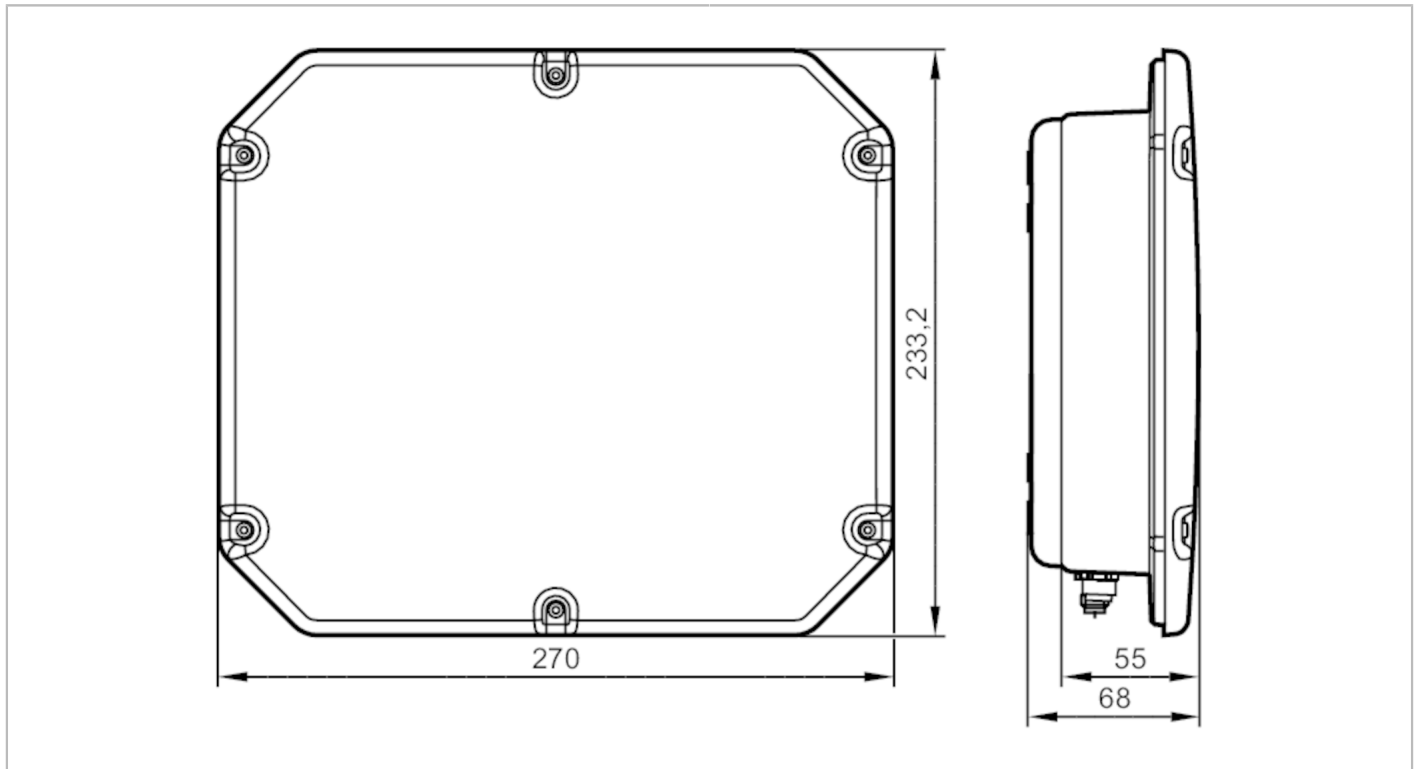
DTE920



RFID evaluation unit UHF

DTEUHFEAABRWEIUS04

Article no longer available - archive entry




Application	
Radio approval for	Australia
Electrical data	
Operating voltage [V]	24 DC
Current consumption [mA]	700
Operating frequency [MHz]	916...927
Antenna connections	4; (TNC Reverse)
RFID standard	EPC Class1 GEN2/ISO 18000-6C
Transmission power ERP [mW]	2000
Impedance [Ω]	50
Inputs / outputs	
Number of inputs and outputs	Number of digital inputs: 4; Number of digital outputs: 4
Inputs	
Number of digital inputs	4
Outputs	
Number of digital outputs	4
Max. current load per output [mA]	500
Detection zone	
RSSI threshold	adjustable via software
Software / programming	
Parameter setting options	Software

DTE920



RFID evaluation unit UHF

DTEUHFEAABRWEIUS04

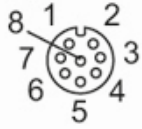
Interfaces		
Communication interface	Ethernet	
Ethernet		
Protocol	TCP/IP; IP	
Usage type	parameter setting	
Ethernet - EtherNet/IP		
Protocol	EtherNet/IP	
Usage type	data transmission	
Operating conditions		
Ambient temperature	[°C]	-25...55
Storage temperature	[°C]	-25...85
Protection	IP 65	
Mechanical data		
Weight	[g]	3109
Housing	rectangular	
Dimensions	[mm]	233.5 x 270 x 68
Materials	housing: aluminium; Protective cover: plastics; TNC socket: brass / PTFE; connector: brass / plastic	
Displays / operating elements		
Display	operation	1 x LED, red/green
Remarks		
Pack quantity	1 pcs.	
Electrical connection - Ethernet		
Connector: 1 x M12		
		
1	TD+	
2	RD+	
3	TD-	
4	RD-	
Electrical connection - Process connection		
Connector: 1 x M12		

DTE920



RFID evaluation unit UHF

DTEUHFEAABRWEIUS04



1	switching output CMN
2	switching input 3 / switching input 0
3	switching input CMN
4	0 V
5	U+
6	switching output 3 / switching output 1
7	switching output 2 / switching output 0
8	switching input 2 / switching input 1

Electrical connection - supply

Connector: 1 x M12



1	U+
2	n.c.
3	0 V
4	n.c.