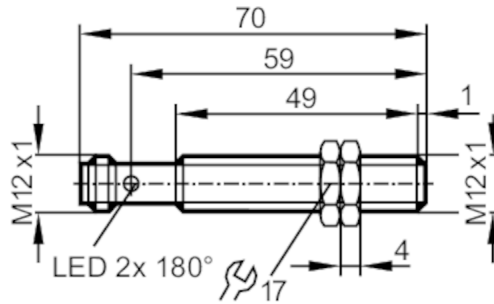


DTI410



RFID read/write head HF

DTRHF FBRWIOUS03



| Application | | | |
|-------------------------------------|--|----------|------|
| Application | detection of objects on transport equipment | | |
| Radio approval for | EU; USA; Canada; Japan; Australia; China; Taiwan; India; Singapore | | |
| Electrical data | | | |
| Operating voltage [V] | 19.2...28.8 DC | | |
| Current consumption [mA] | < 50 | | |
| Protection class | III | | |
| Operating frequency [MHz] | 13,56 | | |
| RFID standard | ISO 15693 | | |
| Detection zone | | | |
| Distance write/read head front [mm] | 40 | | |
| Distance write/read head side [mm] | 20 | | |
| Distance to the ID tag [mm] | referred to 20 mm coin tag; I-CODE SLI | : | ≤ 12 |
| Interfaces | | | |
| Communication interface | IO-Link | | |
| Transmission type | COM2 (38,4 kBaud) | | |
| IO-Link revision | 1.1 | | |
| SDCI standard | IEC 61131-9 | | |
| Profiles | Smart Sensor: Device Identification | | |
| SIO mode | no | | |
| Required master port type | A | | |
| Supported DeviceIDs | Type of operation | DeviceID | |
| | Default | 967 | |
| Operating conditions | | | |
| Ambient temperature [°C] | -20...60 | | |
| Storage temperature [°C] | -25...80 | | |
| Protection | IP 67; IP 69K | | |

DTI410



RFID read/write head HF

DTRHF FBRWIOUS03

| Tests / approvals | | |
|----------------------|-------------------|-----------------------------|
| EMC | DIN EN 301489-3 | |
| Shock resistance | EN 60068-2-27 | 40 g 6 ms / repetitive |
| | EN 60068-2-27 | 50 g 11 ms / not repetitive |
| Vibration resistance | EN 60068-2-6 | 20 g 10...2000 Hz |
| Radio approval | EN 300 330 V2.1.1 | |
| MTTF [years] | 610.46 | |
| UL approval | Ta | -20...60 °C |
| | Enclosure type | Type 1 |
| | voltage supply | Limited Voltage/Current |
| | File number UL | E205959 |

| Mechanical data | | |
|--------------------|---|--|
| Weight [g] | 111 | |
| Housing | cylindrical | |
| Mounting | flush mountable | |
| Dimensions [mm] | M12 x 1 / L = 70 | |
| Thread designation | M12 x 1 | |
| Materials | housing: stainless steel; Protective cover: PPS | |

| Displays / operating elements | | |
|-------------------------------|-------------------|-----------------|
| Display | operation | 1 x LED, green |
| | tag communication | 1 x LED, yellow |

| Remarks | | |
|---------------|--------|--|
| Pack quantity | 1 pcs. | |

Electrical connection

Connector: 1 x M12



DTI410



RFID read/write head HF

DTRHF FBRWIOUS03

Connection

