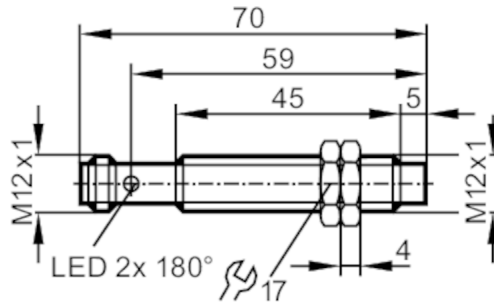


DTI411



RFID read/write head HF

DTRHF FNRWIOUS03



Application

Application	detection of objects on transport equipment
Radio approval for	EU; USA; Canada; Japan; Australia; China; Taiwan; India; Singapore

Electrical data

Operating voltage [V]	19.2...28.8 DC
Current consumption [mA]	< 50
Protection class	III
Operating frequency [MHz]	13,56
RFID standard	ISO 15693

Detection zone

Distance write/read head front [mm]	90
Distance write/read head side [mm]	25
Distance to the ID tag [mm]	referred to 20 mm coin tag; I-CODE SLI : ≤ 18

Interfaces

Communication interface	IO-Link				
Transmission type	COM2 (38,4 kBaud)				
IO-Link revision	1.1				
SDCI standard	IEC 61131-9				
Profiles	Smart Sensor: Device Identification				
SIO mode	no				
Required master port type	A				
Supported DeviceIDs	<table border="1"> <tr> <th>Type of operation</th> <th>DeviceID</th> </tr> <tr> <td>Default</td> <td>967</td> </tr> </table>	Type of operation	DeviceID	Default	967
Type of operation	DeviceID				
Default	967				

Operating conditions

Ambient temperature [°C]	-20...60
Storage temperature [°C]	-25...80
Protection	IP 67; IP 69K



RFID read/write head HF

DTRHF FNRWIOUS03

Tests / approvals		
EMC	DIN EN 301489-3	
Shock resistance	EN 60068-2-27	40 g 6 ms / repetitive
	EN 60068-2-27	50 g 11 ms / not repetitive
Vibration resistance	EN 60068-2-6	20 g 10...2000 Hz
Radio approval	EN 300 330 V2.1.1	
MTTF [years]	613.74	
UL approval	Ta	-20...60 °C
	Enclosure type	Type 1
	voltage supply	Limited Voltage/Current
	File number UL	E205959

Mechanical data		
Weight [g]	111.5	
Housing	cylindrical	
Mounting	non-flush mountable	
Dimensions [mm]	M12 x 1 / L = 70	
Thread designation	M12 x 1	
Materials	housing: stainless steel; Protective cover: PPS	

Displays / operating elements		
Display	operation	1 x LED, green
	tag communication	1 x LED, yellow

Remarks	
Pack quantity	1 pcs.

Electrical connection

Connector: 1 x M12



DTI411



RFID read/write head HF

DTRHF FNRWIOUS03

Connection

