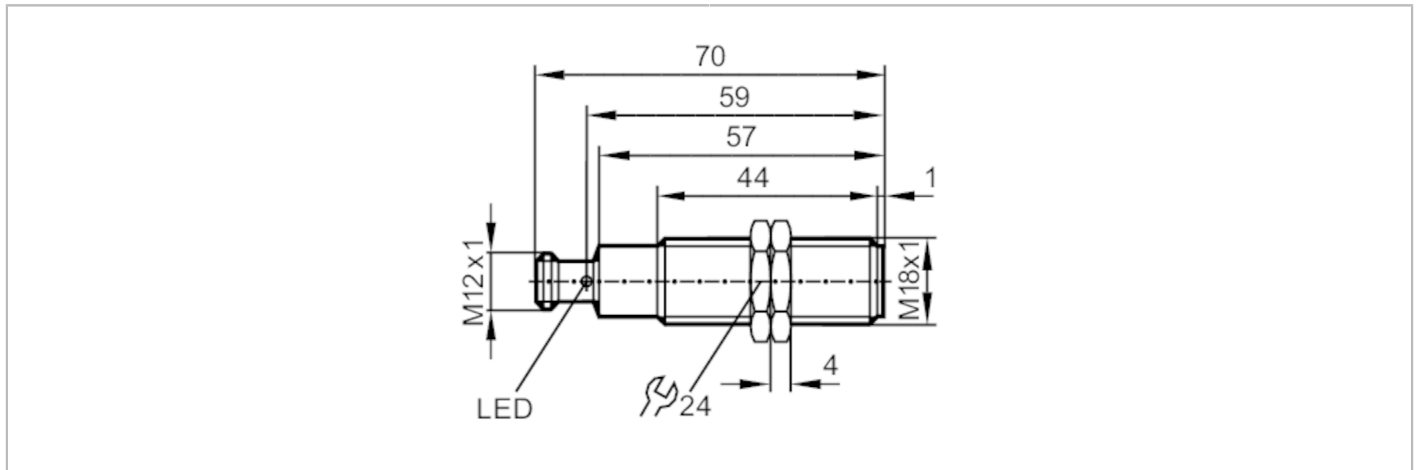


DTI424



RFID read/write head HF

DTRHF GBRWIOUS03



| Application | |
|------------------------------|---|
| Application | detection of objects on transport equipment |
| Radio approval for | EU; Australia; China |
| Electrical data | |
| Operating voltage [V] | 19.2...28.8 DC |
| Current consumption [mA] | < 50 |
| Protection class | III |
| Operating frequency [MHz] | 13,56 |
| RFID standard | ISO 15693 |
| Detection zone | |
| Distance to the ID tag [mm] | referred to 30 mm coin tag; I-CODE SLI : ≤ 16 |
| Interfaces | |
| Communication interface | IO-Link |
| Transmission type | COM2 (38,4 kBaud) |
| IO-Link revision | 1.1 |
| SDCI standard | IEC 61131-9 |
| Profiles | Smart Sensor: Device Identification |
| SIO mode | no |
| Required master port type | A |
| Min. process cycle time [ms] | 22 |
| Supported DeviceIDs | Type of operation : DeviceID Default : 967 |
| Operating conditions | |
| Ambient temperature [°C] | -20...60 |
| Storage temperature [°C] | -25...80 |
| Protection | IP 67; IP 69K |

DTI424



RFID read/write head HF

DTRHF GBRWIOUS03

Tests / approvals

| | | |
|-----------------------|--------------------------------|-----------------------------|
| EMC | EN 301489-3 | |
| Shock resistance | EN 60068-2-27 | 40 g 6 ms / repetitive |
| | EN 60068-2-27 | 50 g 11 ms / not repetitive |
| Vibration resistance | EN 60068-2-6 | 20 g 10...2000 Hz |
| Electrical protection | EN 61010-2-201 : 2013 +AC:2013 | |
| Radio approval | EN 300 330-2 V2.1.1 | |

Mechanical data

| | | |
|--------------------|------|--|
| Weight | [g] | 132.5 |
| Housing | | cylindrical |
| Mounting | | flush mountable |
| Dimensions | [mm] | M18 x 1 / L = 70 |
| Thread designation | | M18 x 1 |
| Materials | | housing: stainless steel (1.4301 / 304); Protective cover: PPS; plug insert: PEI |

Displays / operating elements

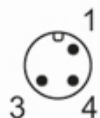
| | | |
|---------|-------------------|-----------------|
| Display | operation | 1 x LED, green |
| | tag communication | 1 x LED, yellow |

Remarks

| | |
|---------------|--------|
| Pack quantity | 1 pcs. |
|---------------|--------|

Electrical connection

Connector: 1 x M12



Connection

