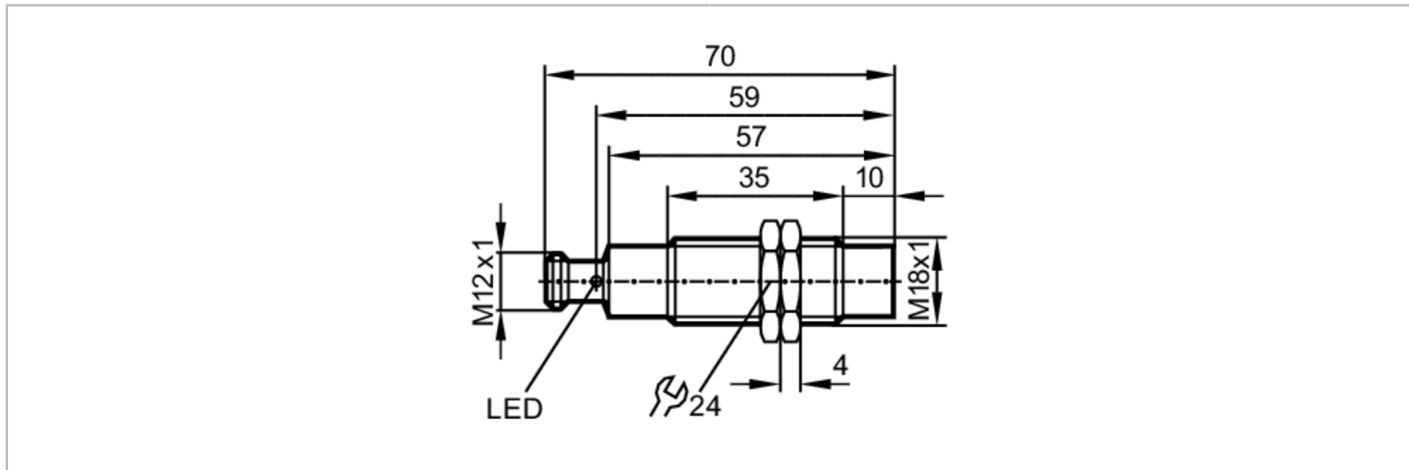


DTI425



RFID read/write head HF

DTRHF GNRWIOUS03



Application		
Application	detection of objects on transport equipment	
Radio approval for	EU; Australia; China	
Electrical data		
Operating voltage [V]	19.2...28.8 DC	
Current consumption [mA]	< 50	
Protection class	III	
Operating frequency [MHz]	13,56	
RFID standard	ISO 15693	
Detection zone		
Distance to the ID tag [mm]	referred to 30 mm coin tag; I-CODE SLI : ≤ 40	
Interfaces		
Communication interface	IO-Link	
Transmission type	COM2 (38,4 kBaud)	
IO-Link revision	1.1	
SDCI standard	IEC 61131-9	
Profiles	Smart Sensor: Device Identification	
SIO mode	no	
Required master port type	A	
Min. process cycle time [ms]	22	
Supported DeviceIDs	Type of operation	DeviceID
	Default	967
Operating conditions		
Ambient temperature [°C]	-20...60	
Storage temperature [°C]	-25...80	
Protection	IP 67; IP 69K	

DTI425



RFID read/write head HF

DTRHF GNRWIOUS03

Tests / approvals		
EMC	EN 301489-3	
Shock resistance	EN 60068-2-27	40 g 6 ms / repetitive
	EN 60068-2-27	50 g 11 ms / not repetitive
Vibration resistance	EN 60068-2-6	20 g 10...2000 Hz
Electrical protection	EN 61010-2-201 : 2013 +AC:2013	
Radio approval	EN 300 330-2 V2.1.1	

Mechanical data		
Weight	[g]	126
Housing		cylindrical
Mounting		non-flush mountable
Dimensions	[mm]	M18 x 1 / L = 70
Thread designation		M18 x 1
Materials		housing: stainless steel (1.4301 / 304); Protective cover: PPS; plug insert: PEI

Displays / operating elements		
Display	operation	1 x LED, green
	tag communication	1 x LED, yellow

Remarks	
Pack quantity	1 pcs.

Electrical connection

Connector: 1 x M12

