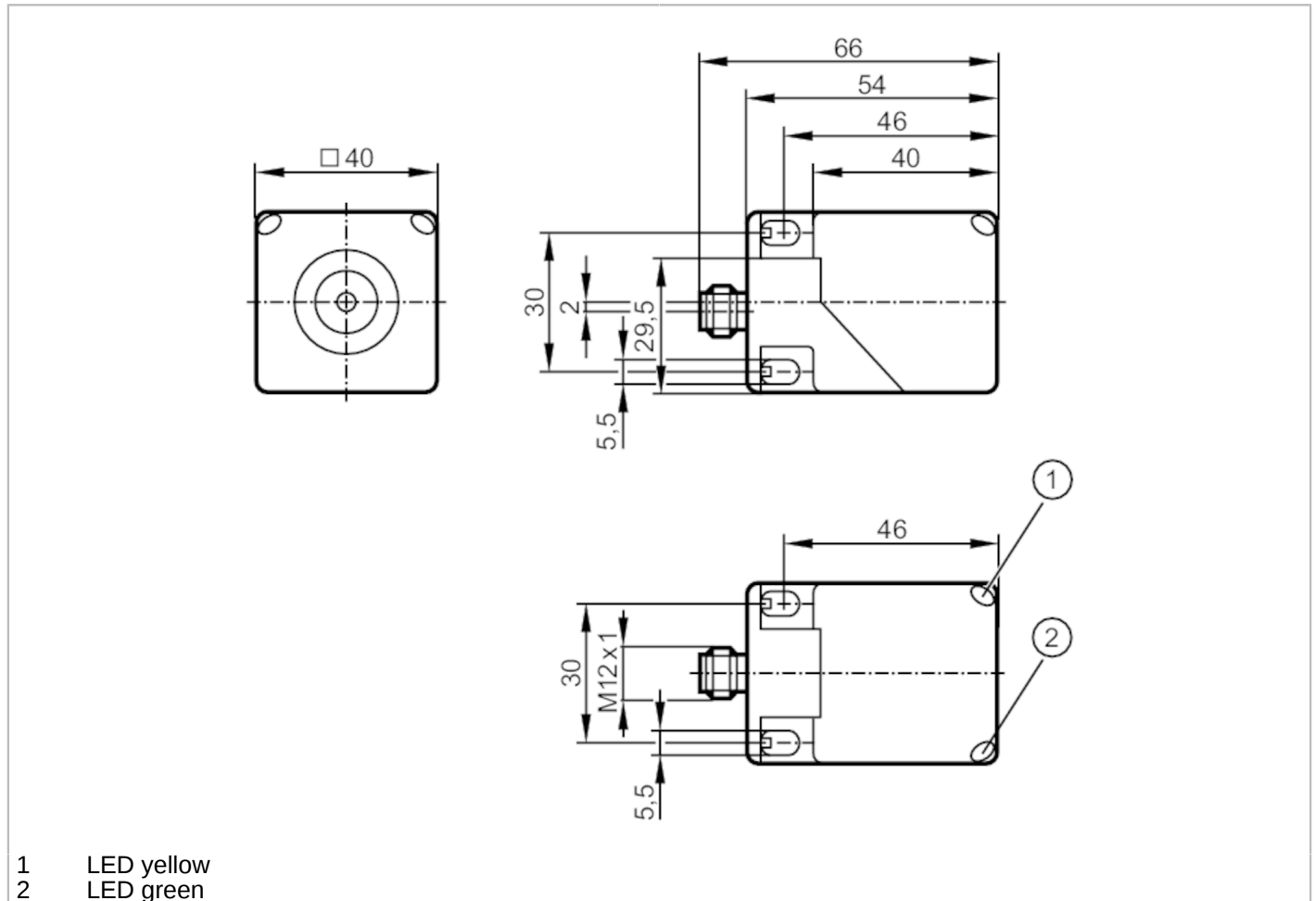


# DTI513



## RFID read/write head HF

DTRHF MCRWIOUS03



Application			
Application	detection of objects on transport equipment		
Radio approval for	EU; USA; Canada; Japan; Australia; China; Taiwan; India; Singapore		
Electrical data			
Operating voltage	[V]	19.2...28.8 DC	
Current consumption	[mA]	< 50	
Protection class		III	
Operating frequency	[MHz]	13,56	
RFID standard		ISO 15693	
Detection zone			
Distance to the ID tag	[mm]	read	≤ 60
		static	
		referred to 30 mm coin tag; I-CODE SLI	

# DTI513



## RFID read/write head HF

DTRHF MCRWIOUS03

Interfaces		
Communication interface	IO-Link	
Transmission type	COM2 (38,4 kBaud)	
IO-Link revision	1.1	
SDCI standard	IEC 61131-9	
Profiles	Smart Sensor: Device Identification	
SIO mode	no	
Required master port type	A	
Supported DeviceIDs	Type of operation	DeviceID
	Default	967

Operating conditions		
Ambient temperature	[°C]	-20...60
Storage temperature	[°C]	-25...80
Protection	IP 67; IP 69K	

Tests / approvals		
EMC	DIN EN 301489-3	
Shock resistance	EN 60068-2-27	40 g 6 ms / repetitive
	EN 60068-2-27	50 g 11 ms / not repetitive
Vibration resistance	EN 60068-2-6	20 g 10...2000 Hz
Radio approval	EN 300 330 V2.1.1	
UL approval	Ta	-20...60 °C
	Enclosure type	Type 1
	voltage supply	Limited Voltage/Current
	File number UL	E205959

Mechanical data		
Weight	[g]	192
Housing	rectangular	
Mounting	flush mountable	
Dimensions	[mm]	40 x 40 x 54
Materials	housing: PA; metal parts: stainless steel	

Displays / operating elements		
Display	operation	1 x LED, green
	tag communication	1 x LED, yellow

Remarks		
Pack quantity	1 pcs.	

Electrical connection		
-----------------------	--	--

Connector: 1 x M12



# DTI513



## RFID read/write head HF

DTRHF MCRWIOUS03

### Connection

