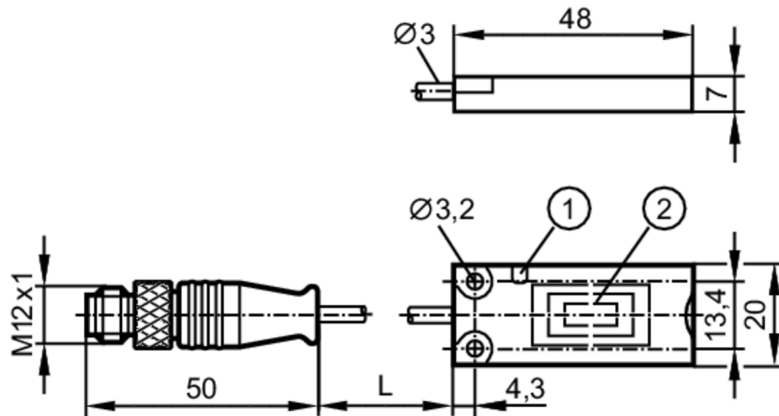


DTI516



RFID read/write head HF

DTRHF KQRWIOUS03



- 1 LED
- 2 Sensing face




Application			
Application	detection of objects on transport equipment		
Radio approval for	EU; Japan; Australia; China; Taiwan; India; Singapore		
Electrical data			
Operating voltage [V]	19.2...28.8 DC		
Current consumption [mA]	< 50		
Protection class	III		
Operating frequency [MHz]	13,56		
RFID standard	ISO 15693		
Detection zone			
Distance write/read head front [mm]	120		
Distance write/read head side [mm]	100		
Distance to the ID tag [mm]	referred to 30 mm coin tag and antenna installed on metal, I-CODE SLI	:	≤ 32
Interfaces			
Communication interface	IO-Link		
Transmission type	COM2 (38,4 kBaud)		
IO-Link revision	1.1		
SDCI standard	IEC 61131-9		
Profiles	Smart Sensor: Device Identification		
SIO mode	no		
Required master port type	A		
Supported DeviceIDs	Type of operation	DeviceID	
	Default	967	

DTI516



RFID read/write head HF

DTRHF KQRWIOUS03

Operating conditions		
Ambient temperature	[°C]	-20...60
Storage temperature	[°C]	-25...80
Protection		IP 67; IP 69K
Tests / approvals		
EMC	DIN EN 301489-3	
Shock resistance	EN 60068-2-27	40 g 6 ms / repetitive
	EN 60068-2-27	50 g 11 ms / not repetitive
Vibration resistance	EN 60068-2-6	20 g 10...2000 Hz
Radio approval	EN 300 330 V2.1.1	
Mechanical data		
Weight	[g]	88.5
Housing		rectangular
Mounting		non-flush mountable
Dimensions	[mm]	20 x 7 x 48
Materials		PBT; TPU; stainless steel
Displays / operating elements		
Display	operation	1 x LED, green
	tag communication	1 x LED, yellow
Remarks		
Pack quantity		1 pcs.
Electrical connection		
Cable: 2 m, PUR; 3 x 0.14 mm ²		
Connector: 1 x M12		
		

DTI516



RFID read/write head HF

DTRHF KQRWIOUS03

Connection

