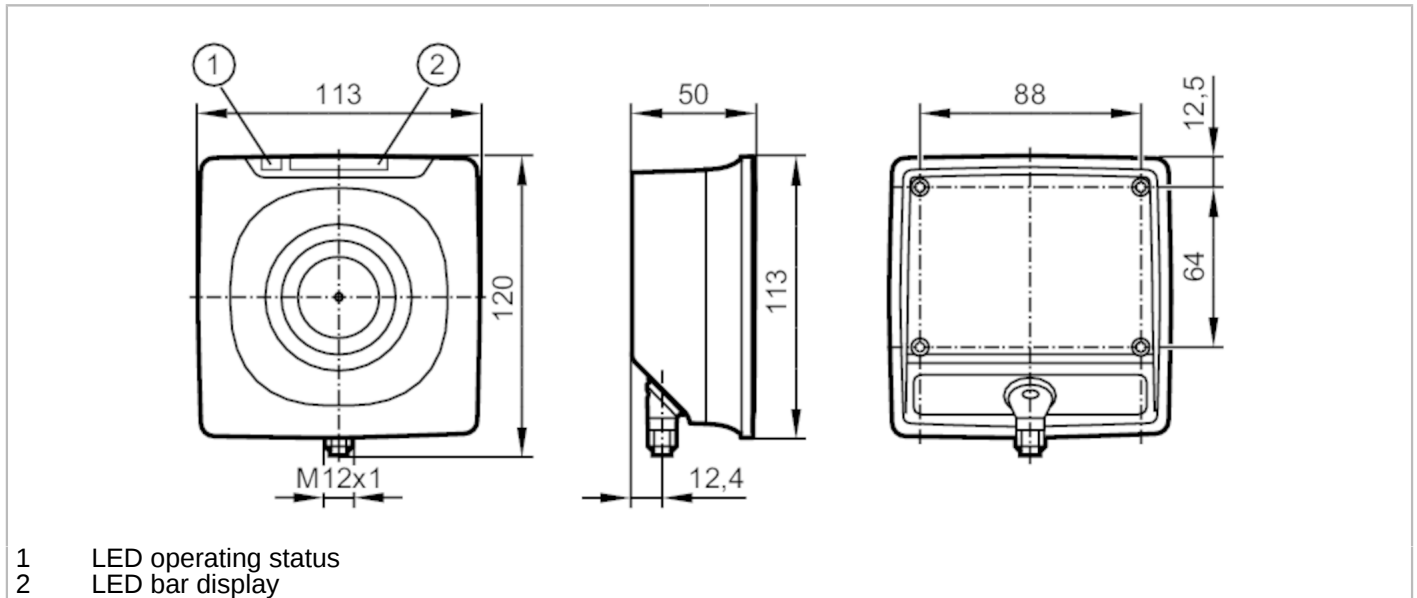


DTI600



RFID read/write head HF

DTRHF HLRWIOUS03



Application		
Application	detection of objects on transport equipment	
Radio approval for	EU; Australia; China; Singapore; Taiwan; India; Japan	
Electrical data		
Operating voltage [V]	19.2...28.8 DC	
Current consumption [mA]	< 150	
Protection class	III	
Operating frequency [MHz]	13,56	
RFID standard	ISO 15693	
Detection zone		
Distance write/read head front [mm]	400	
Distance write/read head side [mm]	600	
Distance to the ID tag [mm]	referred to the ID tag E80384	< 190
	referred to an ISO card E80407	< 230
Interfaces		
Communication interface	IO-Link	
Transmission type	COM2 (38,4 kBaud)	
IO-Link revision	1.1	
SDCI standard	IEC 61131-9	
Profiles	Smart Sensor: Device Identification	
SIO mode	no	
Required master port type	A	
Supported DeviceIDs	Type of operation	DeviceID
	Default	967

DTI600

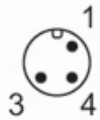


RFID read/write head HF

DTRHF HLRWIOUS03

Operating conditions		
Ambient temperature	[°C]	-20...60
Storage temperature	[°C]	-25...80
Protection		IP 67
Tests / approvals		
EMC	EN 301489-3	
Shock resistance	EN 60068-2-27	40 g 6 ms / bump
	EN 60068-2-27	50 g 11 ms / single shock
Vibration resistance	EN 60068-2-6	2 g 10...150 Hz
Radio approval	EN 300 330-2 V2.1.1	
Mechanical data		
Weight	[g]	456
Dimensions	[mm]	120 x 50 x 113
Materials	PBT; PC; stainless steel	
Displays / operating elements		
Display	operation	1 x LED, green
	tag communication	4 x LED bar display, yellow signal strength ID tag
Remarks		
Remarks	For the distances to other ID tags see the respective data sheet (E803xx)	
Pack quantity	1 pcs.	
Electrical connection		

Connector: 1 x M12



Connection

