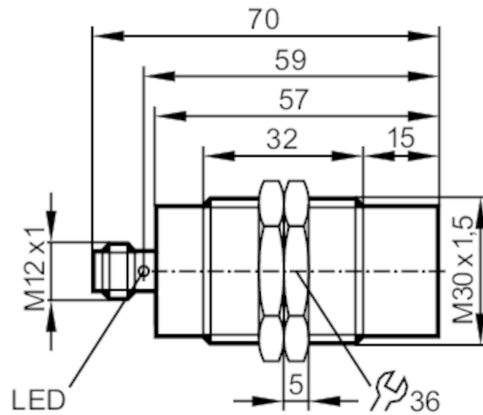


DTM435



RFID read/write head with CAN interface and CANopen protocol

DTMHF INRWCOUS03



Application

Radio approval for EU; USA; Canada; Japan; Australia; China; Taiwan; India; Singapore; Ukraine

Electrical data

Operating voltage [V]	9...32 DC
Current consumption [mA]	< 50 (24 V) / < 80 (12 V)
Protection class	III
Operating frequency [MHz]	13,56
RFID standard	ISO 15693

Detection zone

Distance write/read head front [mm]	200
Distance write/read head side [mm]	100
Distance to the ID tag [mm]	≤ 55

Interfaces

Communication interface CAN

CAN

Protocol CANopen

Operating conditions

Ambient temperature [°C]	-40...85
Storage temperature [°C]	-40...85
Protection	IP 67; IP 69K

Tests / approvals

EMC	EN 301489-3	V 1.6.1
Shock resistance	EN 60068-2-27	40 g 6 ms / repetitive
	EN 60068-2-27	50 g 11 ms / not repetitive
Vibration resistance	EN 60068-2-6	20 g 10...2000 Hz
Radio approval	EN 302 291-2 V1.1.1 / EN 300 330-2 V1.5.1	
MTTF [years]	475	

DTM435



RFID read/write head with CAN interface and CANopen protocol

DTMHF INRWCOUS03

Mechanical data

Weight	[g]	204.5
Housing		threaded type
Dimensions	[mm]	M30 x 1.5 / L = 70
Thread designation		M30 x 1.5
Materials		housing: stainless steel; Protective cover: PPS; LED window: PEI

Displays / operating elements

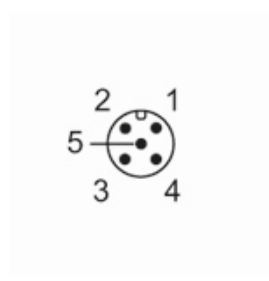
Display	Preoperational Mode	1 x LED, green lights
	Operational Mode	1 x LED, green flashing
	errors	1 x LED, red flashing
	tag communication	1 x LED, yellow lights

Remarks

Pack quantity	1 pcs.
---------------	--------

Electrical connection

Connector: 1 x M12



1	not used
2	U+
3	GND
4	CAN_H
5	CAN_L