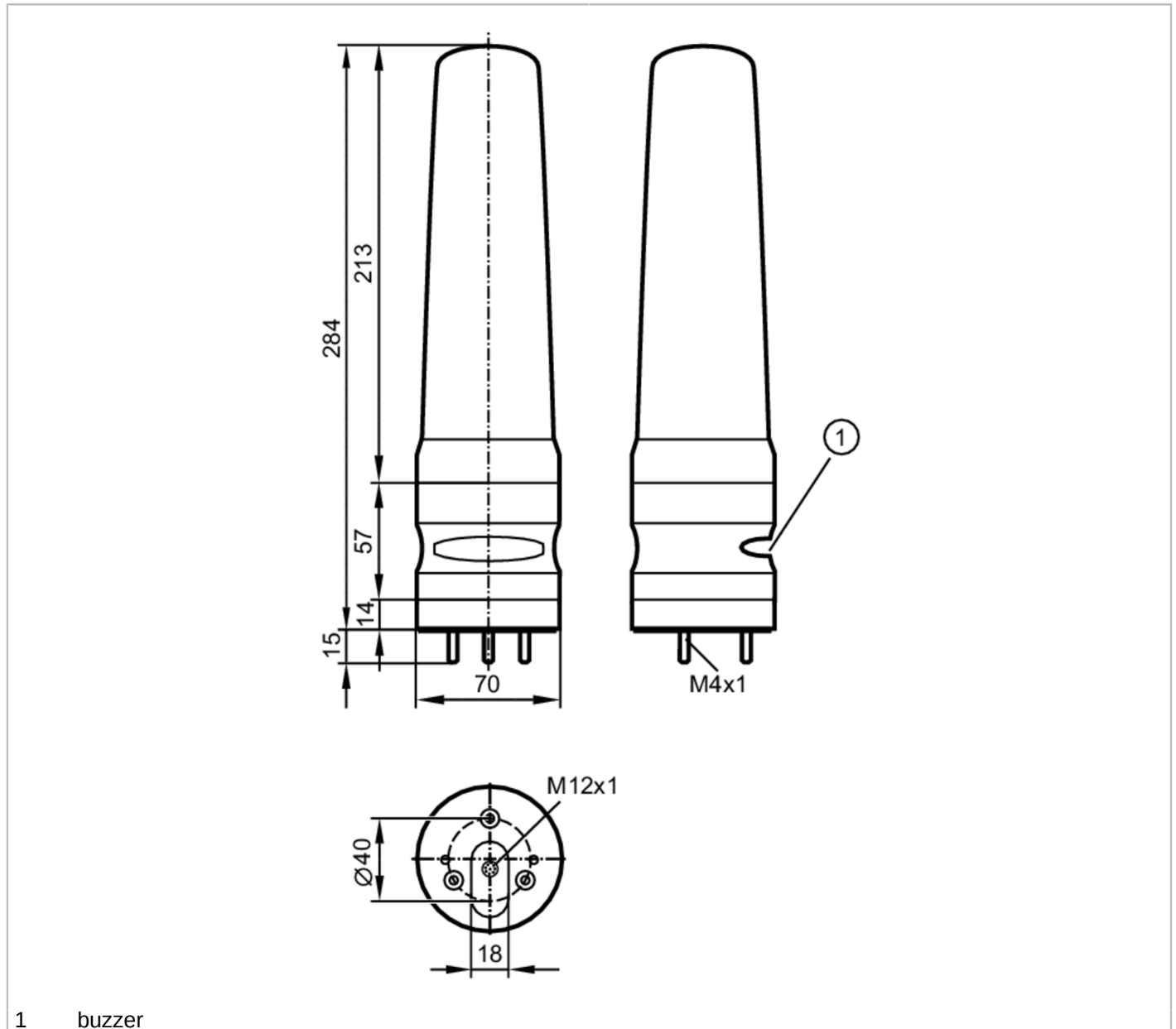


DV1530



5-segment light tower

LED-Tower-5/Std/Buzzer



1 buzzer



Application

Application: signalling machine conditions

Electrical data

| | |
|--------------------------|----------------------------|
| Operating voltage [V] | 18...30 DC; (to SELV/PELV) |
| Nominal voltage DC [V] | 24 |
| Current consumption [mA] | < 200 |

Inputs / outputs

Number of inputs and outputs: Number of digital inputs: 6

Inputs

| | |
|--------------------------|---|
| Number of digital inputs | 6 |
| Input current High [mA] | 6 |

DV1530



5-segment light tower

LED-Tower-5/Std/Buzzer

| Interfaces | | |
|------------------------------|-------------------|----------|
| Communication interface | IO-Link | |
| Transmission type | COM2 (38,4 kBaud) | |
| IO-Link revision | 1.1 | |
| SDCI standard | IEC 61131-9 | |
| SIO mode | yes | |
| Required master port type | A | |
| Min. process cycle time [ms] | 3.2 | |
| Supported DeviceIDs | Type of operation | DeviceID |
| | Default | 850 |

| Operating conditions | | |
|---------------------------------|----------|--|
| Ambient temperature [°C] | -25...50 | |
| Storage temperature [°C] | -40...75 | |
| Max. relative air humidity [%] | 90 | |
| Air pressure [kPa] | < 106 | |
| Max. height above sea level [m] | 2000 | |
| Protection | IP 54 | |

| Mechanical data | | |
|-----------------|------------------------|--|
| Weight [g] | 567 | |
| Dimensions [mm] | Ø 70 / L = 284 | |
| Materials | housing: ABS; lens: PC | |

| Displays / operating elements | | |
|-------------------------------|-------------|----------------|
| Display | status | 1 x LED, green |
| | LED segment | 5 x 4 LED |
| Acoustic signal | buzzer | |
| Max. sound pressure [dB] | 85 | |

| Accessories | | |
|------------------------|--|--|
| Accessories (optional) | mounting base, E89060 | |
| | wall bracket, E89061 | |
| | Mounting adapter, E89063 | |
| | bracket with lateral cable entry, E89064 | |
| | mounting tube, E89065 | |
| | mounting tube, E89066 | |
| | mounting tube, E89067 | |

| Remarks | | |
|---------------|--|--|
| Remarks | For further information please see the operating instructions. | |
| Pack quantity | 1 pcs. | |

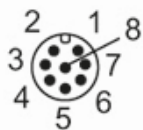
| Electrical connection - plug | | |
|------------------------------|--|--|
| Connector: M12 | | |

DV1530



5-segment light tower

LED-Tower-5/Std/Buzzer



Connection

| | |
|---|-----------------------------|
| 1 | digital input LED segment 5 |
| 2 | buzzer |
| 3 | digital input LED segment 3 |
| 4 | digital input LED segment 2 |
| 5 | voltage supply |
| 6 | digital input LED segment 1 |
| 7 | digital input LED segment 4 |
| 8 | IO-Link (C/Q) |

Diagrams and graphs

base mounting



DV1530

5-segment light tower

LED-Tower-5/Std/Buzzer



wall mounting

