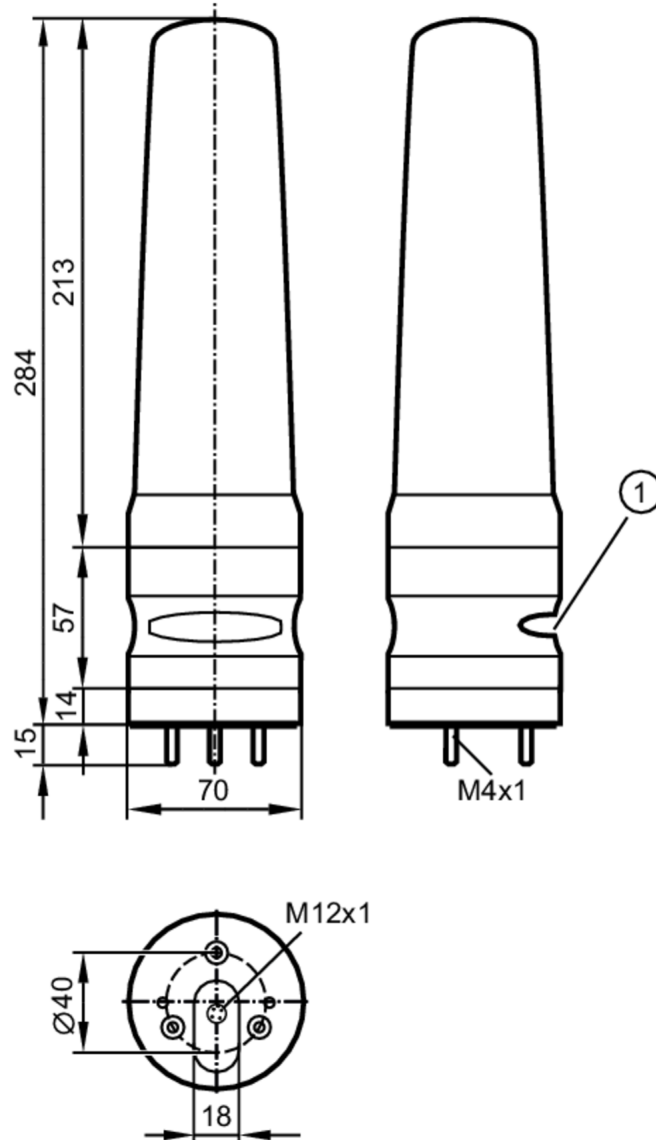


# DV2530



## 5-segment light tower

LED-Tower-5/IOL/Buzzer



1 buzzer



### Application

Application: signalling machine conditions

### Electrical data

Operating voltage [V]	18...30 DC; (to SELV/PELV)
Nominal voltage DC [V]	24
Current consumption [mA]	< 200

### Inputs

Input current High [mA]	6
-------------------------	---

# DV2530



## 5-segment light tower

LED-Tower-5/IOL/Buzzer

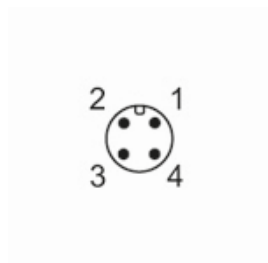
Interfaces		
Communication interface	IO-Link	
Transmission type	COM2 (38,4 kBaud)	
IO-Link revision	1.1	
SDCI standard	IEC 61131-9	
SIO mode	yes	
Required master port type	A	
Min. process cycle time [ms]	3.2	
Supported DeviceIDs	Type of operation	DeviceID
	Default	841
Operating conditions		
Ambient temperature [°C]	-25...50	
Storage temperature [°C]	-40...75	
Max. relative air humidity [%]	90	
Air pressure [kPa]	< 106	
Max. height above sea level [m]	2000	
Protection	IP 54	
Mechanical data		
Weight [g]	563.5	
Dimensions [mm]	Ø 70 / L = 284	
Materials	housing: ABS; lens: PC	
Displays / operating elements		
Display	LED segment	5 x 4 LED
Acoustic signal	buzzer	
Max. sound pressure [dB]	85	
Accessories		
Accessories (optional)	mounting base, E89060	
	wall bracket, E89061	
	Mounting adapter, E89063	
	bracket with lateral cable entry, E89064	
	mounting tube, E89065	
	mounting tube, E89066	
mounting tube, E89067		
Remarks		
Remarks	For further information please see the operating instructions.	
Pack quantity	1 pcs.	
Electrical connection - plug		
Connector: M12		

# DV2530



## 5-segment light tower

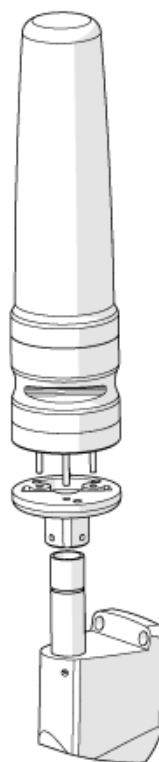
LED-Tower-5/IOL/Buzzer



1	UB+
2	not used
3	UB-
4	IO-Link (C/Q)

### Diagrams and graphs

wall mounting



# DV2530

## 5-segment light tower

LED-Tower-5/IOL/Buzzer



base mounting

