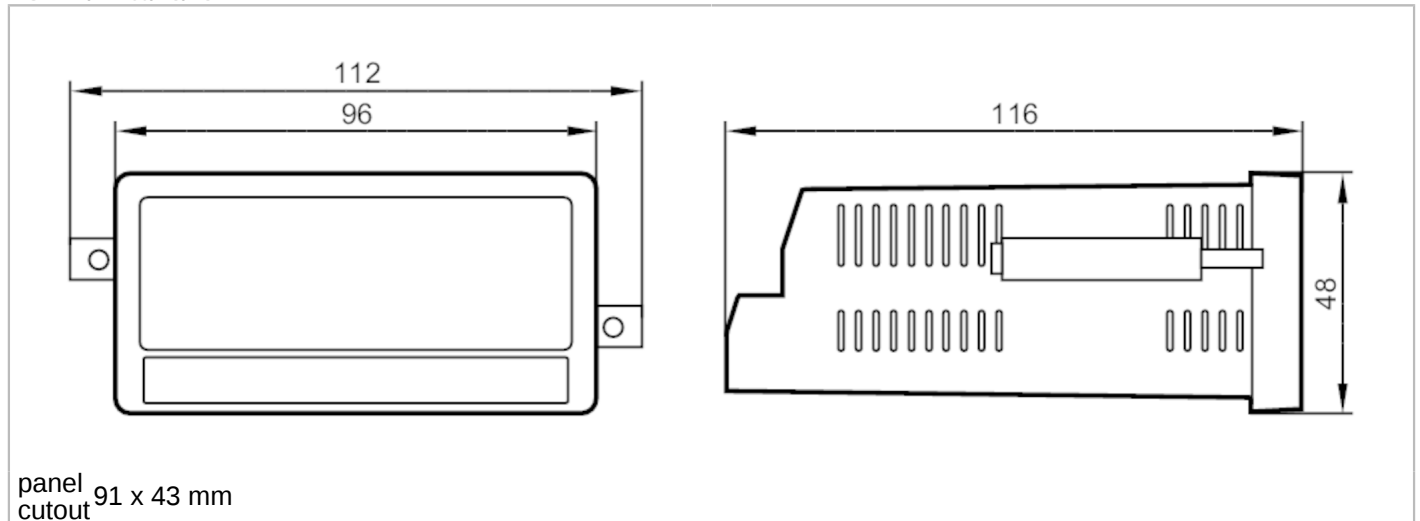


# DX2041



## Multifunction display for monitoring analogue standard signals

DISPLAY/AX460/AC/DC



panel cutout 91 x 43 mm



Product characteristics		
Dimensions	[mm]	48 x 112 x 116
Application		
Application		displaying and monitoring analogue signals; e.g. pressure sensors, temperature sensors or flow sensors
Electrical data		
Frequency AC	[Hz]	50...60
Operating voltage	[V]	115...230 AC / 18...30 DC
Current consumption	[mA]	100
Inputs / outputs		
Number of inputs and outputs		Number of analogue inputs: 2
Inputs		
Number of analogue inputs		2
Operating conditions		
Ambient temperature	[°C]	-20...60
Storage temperature	[°C]	-25...70
Protection		IP 65
Protection rating terminals		IP 20
Tests / approvals		
EMC		EN 61000-6-2
		EN 61000-6-3
		EN 61000-6-4
Mechanical data		
Weight	[g]	351
Type of mounting		panel cutout: 91 x 43 mm
Dimensions	[mm]	48 x 112 x 116
Materials		Noryl UL94-V-0

# DX2041



## Multifunction display for monitoring analogue standard signals

DISPLAY/AX460/AC/DC

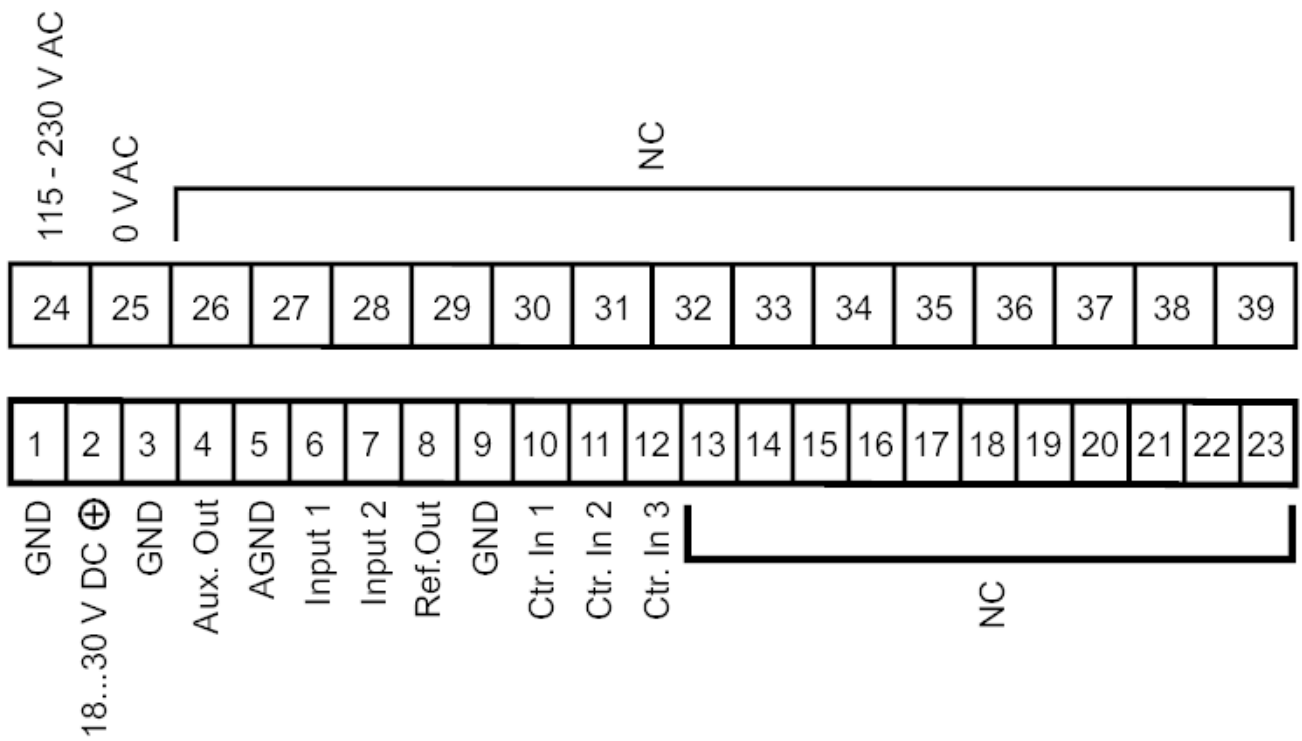
### Displays / operating elements

Display	colour display	full graphic LCD display, touch screen
---------	----------------	--

### Electrical connection

screw terminals:

### Connection



NC not used