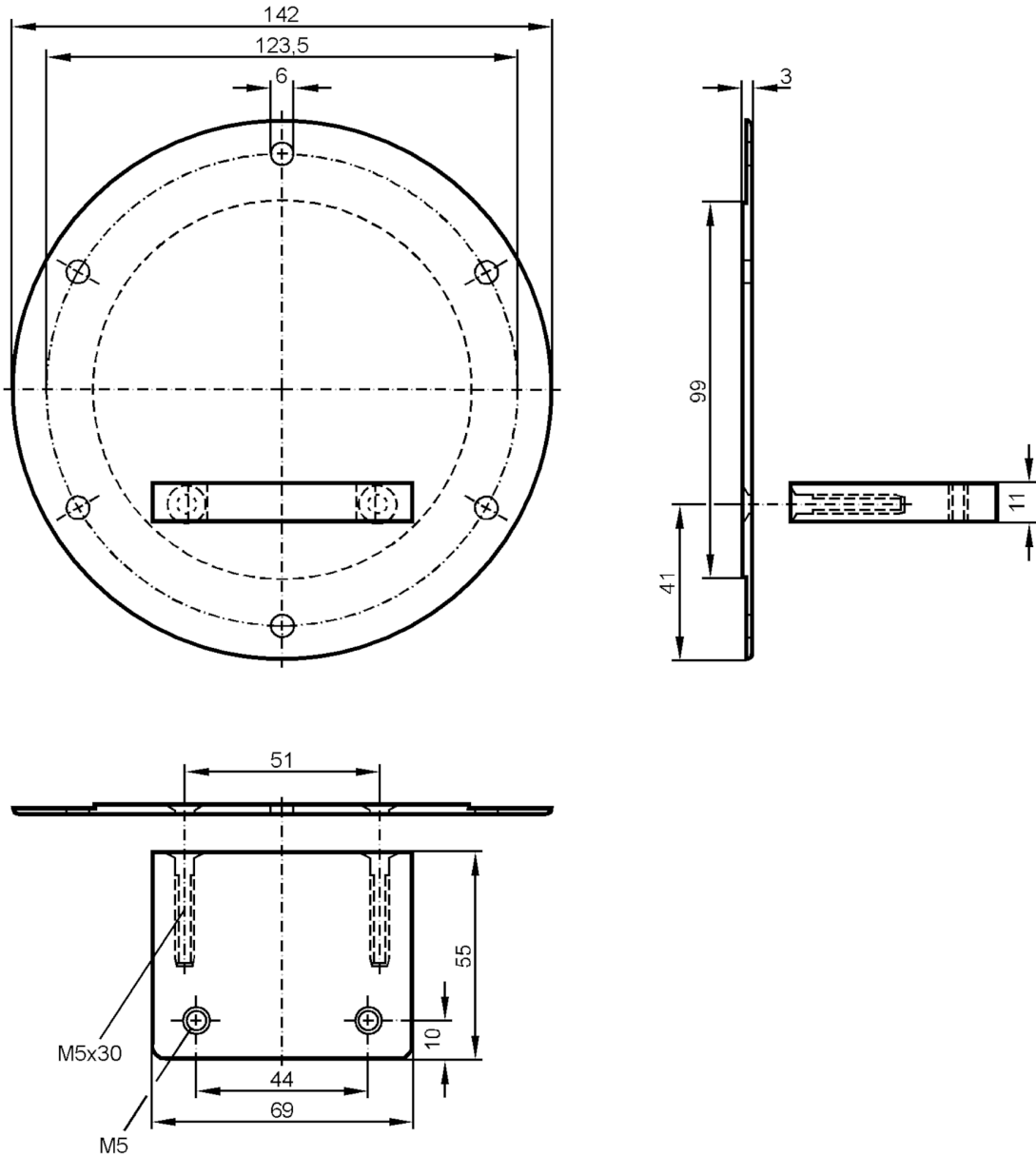




Tank wall mounting set for capacitive sensors

MOUNTING SET KB/KI

Article no longer available - archive entry



Application

Design	for capacitive level monitoring
Installation	at silo walls and containers

Mechanical data

Weight	[g]	105.2
Materials		PC transparent; clip block: ABS black

Accessories

Items supplied	screws: 2 x M5 x 25
----------------	---------------------

Remarks

Pack quantity	1 pcs.
---------------	--------