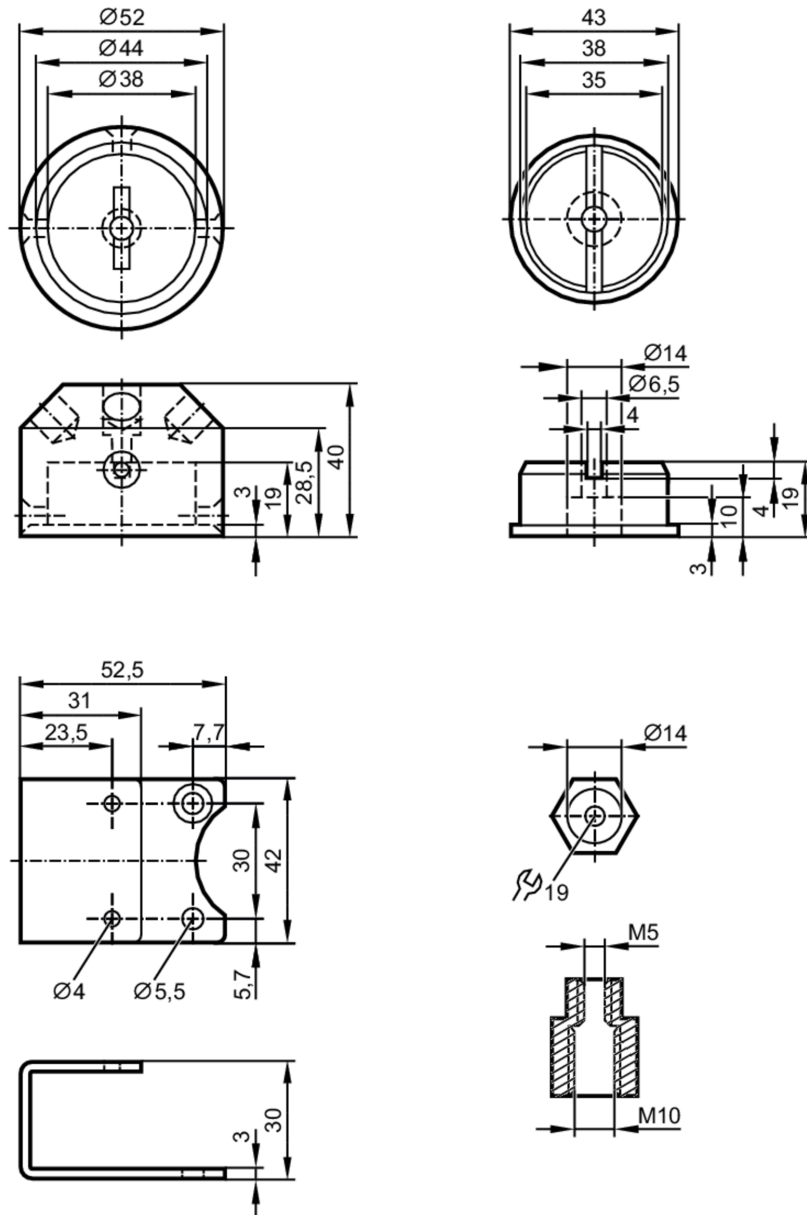


Target puck mounting set for valve actuators

Mounting kit IND MECAFRANCE

Article no longer available - archive entry



Application

Design

detection of the "ON/OFF" position by means of dual sensor IND, for ball valve Mecafrance ISO5211/F04 DN25 PN40

Mechanical data

Weight

[g]

252

Remarks

Pack quantity

1 pcs.