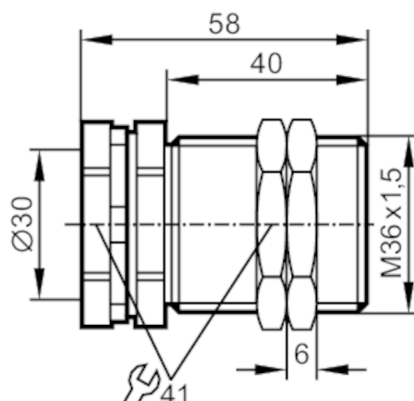


E10743



Mounting sleeve with end stop

FIXING/M30/BASIC/MS/END STOP



Application

Design with end stop

Mechanical data

Weight [g]	192.7
Installation instruction	align the sensing face of the sensor to the right (see scale drawing)
Dimensions [mm]	M36 x 1.5 / L = 58
Thread designation	M36 x 1.5
Inside diameter [mm]	30
Materials	brass white bronze coated; Nuts: brass white bronze coated
Tightening torque [Nm]	20; (lock nuts: 40)

Accessories

Items supplied Nuts: 2

Remarks

Pack quantity 1 pcs.