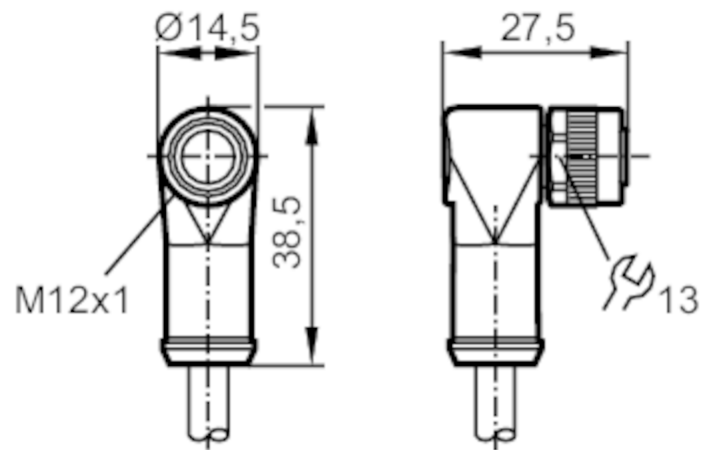


E10980



Connecting cable with socket

ADOAH080MSS0010A06



Electrical data

Operating voltage [V] < 60 AC/DC

Operating conditions

Ambient temperature [°C] -25...85

Protection IP 68

Mechanical data

Weight [g] 479

Dimensions [mm] 38.5 x 14.5 x 27.5

Materials TPU

Moulded-body material TPU

Material nut diecast zinc, nickel-plated

Remarks

Pack quantity 1 pcs.

Electrical connection

Cable: 10 m, PUR, black; 6 x 0.34 mm² (42 x Ø 0.1 mm)

Electrical connection - socket

Connector: 1 x M12, angled; Moulded body: TPU; Locking: diecast zinc, nickel-plated

E10980

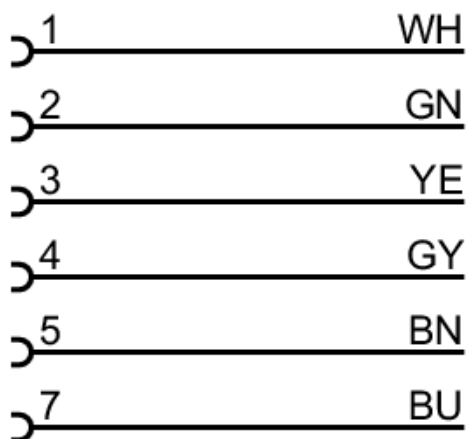


Connecting cable with socket

ADOAH080MSS0010A06



Connection



Core colours :

BN =	brown
BU =	blue
GN =	green
GY =	grey
WH =	white
YE =	yellow