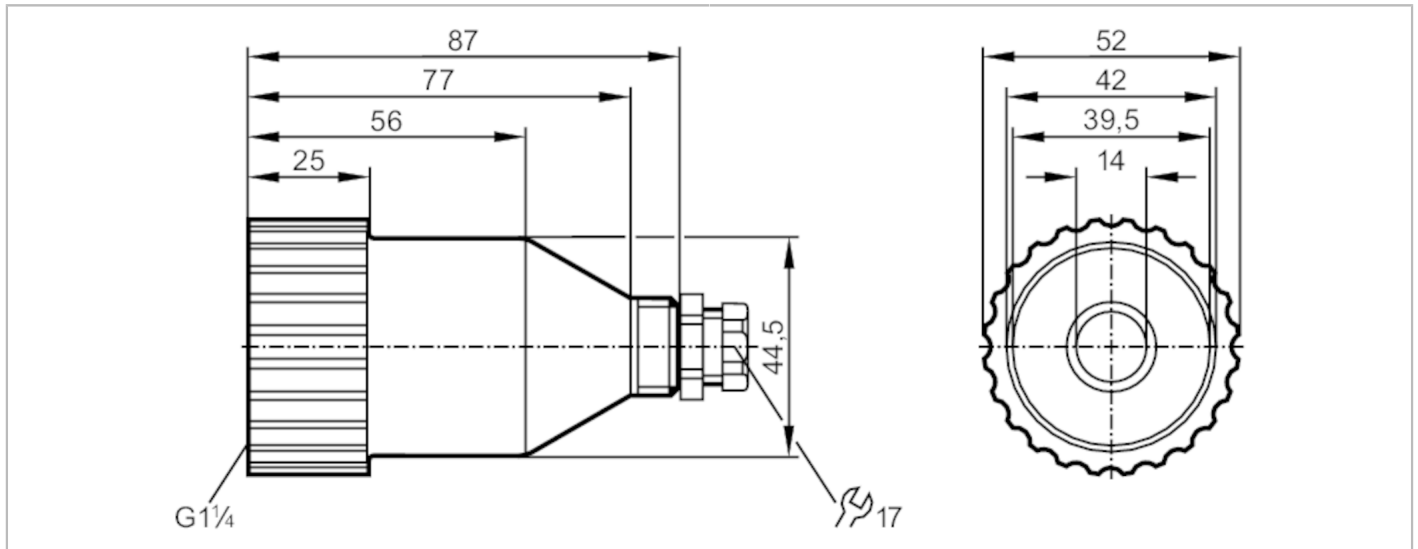


# E11078



## Protective cap for mounting adapter

PROTECTIVE COVER



Application	
Design	for mounting adapters
Mechanical data	
Weight [g]	56.5
Dimensions [mm]	Ø 44.5 / L = 87
Materials	PPSU black transparent
Accessories	
Items supplied	cable gland: PG 9
Remarks	
Pack quantity	1 pcs.