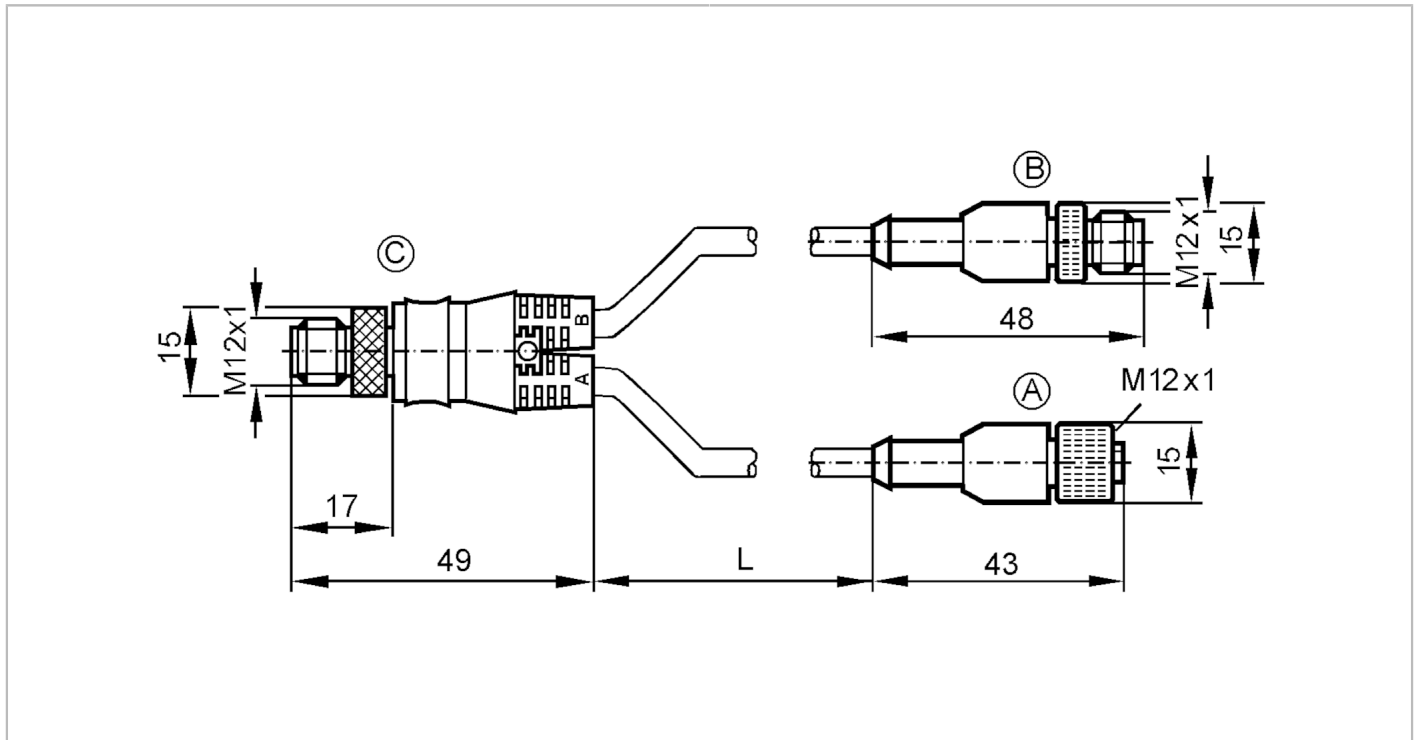


# E11228



## Y connection cable

YDOGH080MSS0,15H08STGH040MSS



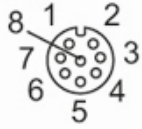
| Application  |  |
|--|--|
| Special feature  | Halogen-free   |
| Electrical data  |  |
| Operating voltage [V]  | < 30 AC / < 36 DC  |
| Operating conditions   |  |
| Ambient temperature [°C]   | -25...80   |
| Protection   | IP 68  |
| Mechanical data  |  |
| Weight [g]   | 63   |
| Materials  | PUR  |
| Moulded-body material  | PUR / PUR / PUR  |
| Material nut   | brass, nickel-plated / brass, nickel-plated / brass, nickel-plated |
| Remarks  |  |
| Pack quantity  | 1 pcs.   |
| Electrical connection  |  |
| Cable: 0.15 m, PUR, Halogen-free, black, Ø 6.2 mm; 8 x 0.25 mm <sup>2</sup>    |  |
| Electrical connection - socket A   |  |
| Connector: 1 x M12, straight; Moulded body: PUR; Locking: brass, nickel-plated |  |

# E11228

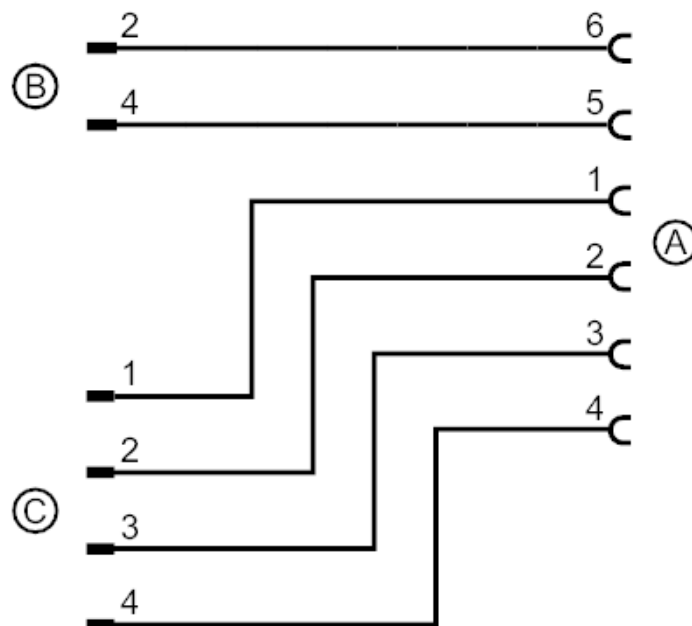


## Y connection cable

YDOGH080MSS0,15H08STGH040MSS



### Connection



### Electrical connection - plug B

Connector: 1 x M12, straight; Moulded body: PUR; Locking: brass, nickel-plated



### Electrical connection - plug C

Connector: 1 x M12, straight; Moulded body: PUR; Locking: brass, nickel-plated

# E11228

## Y connection cable

YDOGH080MSS0,15H08STGH040MSS

