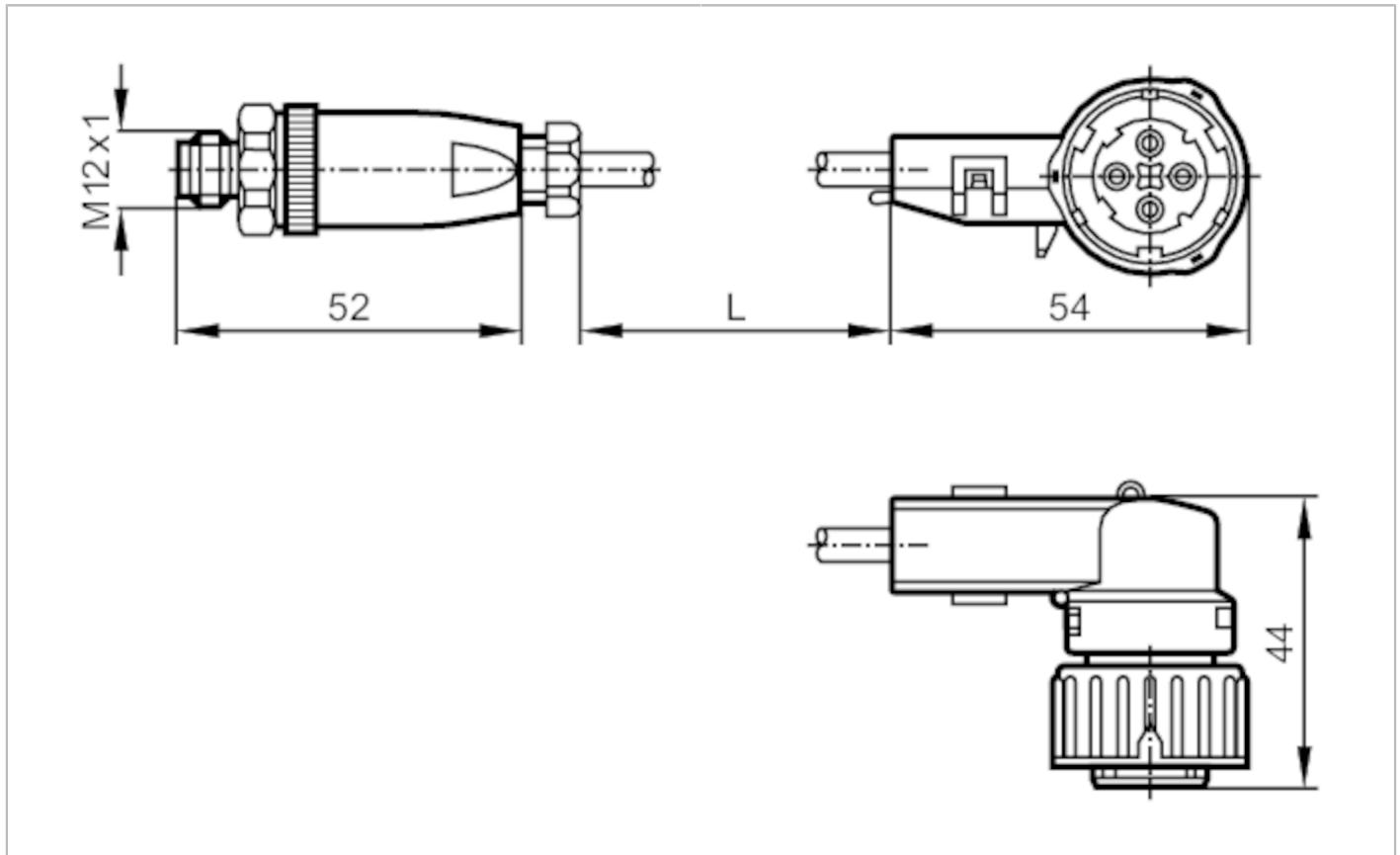


E11274



Connection cable

VDOAR040PLS0002HSTGH040VAS



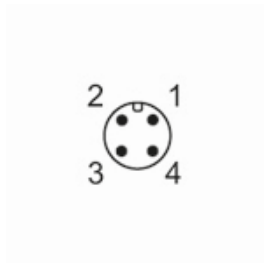
Application	
Special feature	Halogen-free
Design	for communication with the programming unit PP2000
Electrical data	
Operating voltage [V]	9.6...30 DC
Operating conditions	
Ambient temperature [°C]	-40...85
Protection	IP 67; (Connecting cable with socket: IP 67 / IP 69K)
Mechanical data	
Weight [g]	131
Moulded-body material	PA / Hytrel G-4774
Remarks	
Pack quantity	1 pcs.
Electrical connection	
Cable: 2 m, PUR, Halogen-free, black, Ø 6 mm; 4 x 0.5 mm ²	
Electrical connection - plug	
Connector: 1 x M12, straight; Moulded body: PA	

E11274

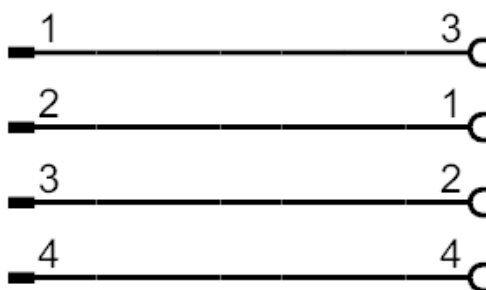


Connection cable

VDOAR040PLS0002HSTGH040VAS



Connection



Electrical connection - socket

Connector: 1 x bayonet, angled; Moulded body: Hytrel G-4774

