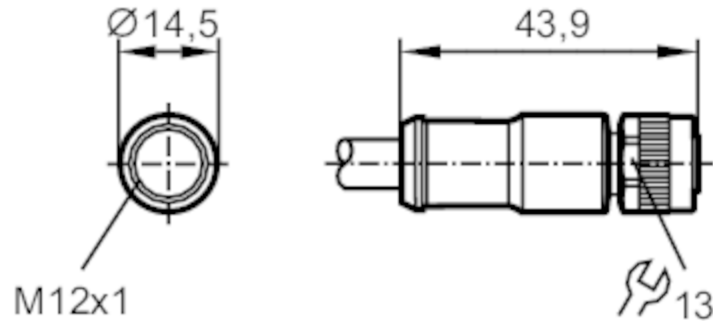


# E11596



## Connecting cable with socket

ADOGH050MSA0002C02



Application		
Special feature	Halogen-free; Gold-plated contacts; Screened cable; Drag chain suitability	
Application	CAN bus	
Electrical data		
Operating voltage [V]	< 30 AC / < 36 DC	
Max. current load total [A]	4	
Operating conditions		
Ambient temperature [°C]	-20...80	
Storage temperature [°C]	-40...80	
Protection	IP 68	
Mechanical data		
Weight [g]	163	
Dimensions [mm]	14.5 x 14.5 x 43.9	
Materials	PUR	
Moulded-body material	PUR	
Material nut	brass, nickel-plated	
Drag chain suitability	yes	
Drag chain suitability	bending radius for flexible use	min. 10 x cable diameter
	bending radius for fixed installation	min. 5 x cable diameter
	travel speed	max. 3.3 m/s for a horizontal travel length of 5 m and max. acceleration of 5 m/s <sup>2</sup>
	bending cycles	> 1 Mio.
Remarks		
Pack quantity	1 pcs.	

# E11596



## Connecting cable with socket

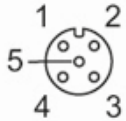
ADOGH050MSA0002C02

### Electrical connection

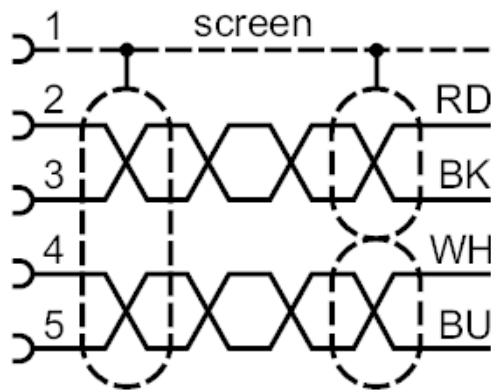
Cable: 2 m, PUR, Halogen-free, lilac, Ø 6.8 mm, shielded; RD / BK: 2 x 0.25 mm<sup>2</sup> (19 x Ø 0.13 mm) + WH / BU: 2 x 0.34 mm<sup>2</sup> (19 x Ø 0.16 mm) + screen: 1 x 0.34 mm<sup>2</sup> (19 x Ø 0.16 mm)

### Electrical connection - socket

Connector: 1 x M12, straight; Moulded body: PUR; Locking: brass, nickel-plated; Contacts: gold-plated



### Connection



Core colours :

BK =	black
BU =	blue
RD =	red
WH =	white
screen =	screen