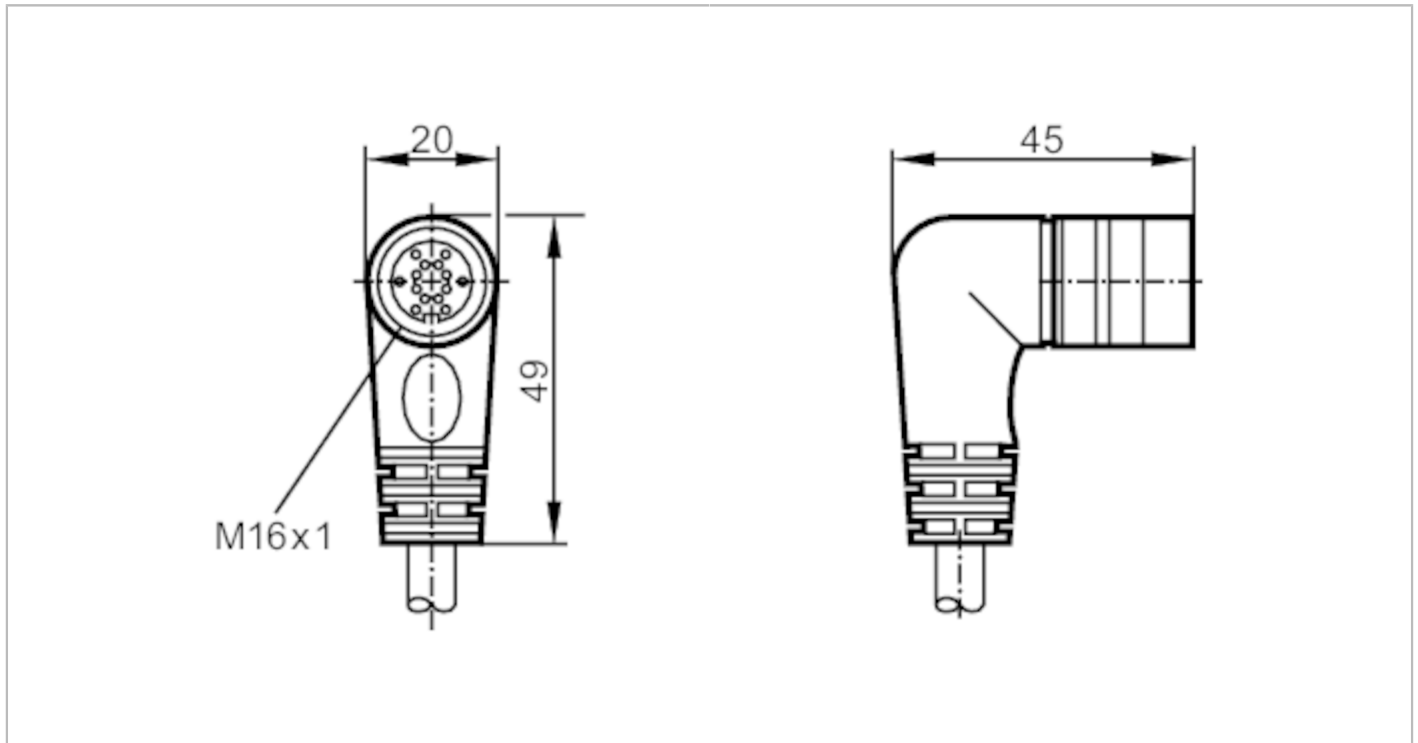


E11645



Connecting cable with socket

ADOAO140MSS0002B11



CE

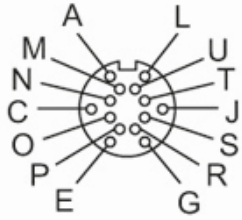
Electrical data	
Operating voltage [V]	< 30 DC
Max. current load total [A]	3
Operating conditions	
Ambient temperature [°C]	-25...90
Protection	IP 67
Mechanical data	
Weight [g]	197.2
Dimensions [mm]	45 x 20 x 49
Materials	PUR
Moulded-body material	PUR
Material nut	brass, nickel-plated
Remarks	
Pack quantity	1 pcs.
Electrical connection	
Cable: 2 m, PUR, black, Ø 7.5 mm; 2 x 0.34 mm ² (14 x Ø 0.15 mm) + 9 x 0.25 mm ² (7 x Ø 0.2 mm)	
Electrical connection - socket	
Connector: 1 x M16, angled; Moulded body: PUR; Locking: brass, nickel-plated	

E11645



Connecting cable with socket

ADAO140MSS0002B11



Connection

A	BN
C	GY/PK
E	BK
G	PK
J	GN
L	BU
N	RD/BU
O	VT
P	WH
S	GY
T	YE

M: not used

R: not used

U: not used

Core colours :

BK = black

BN = brown

BU = blue

GN = green

GY = grey

PK = pink

VT = lilac

WH = white

YE = yellow