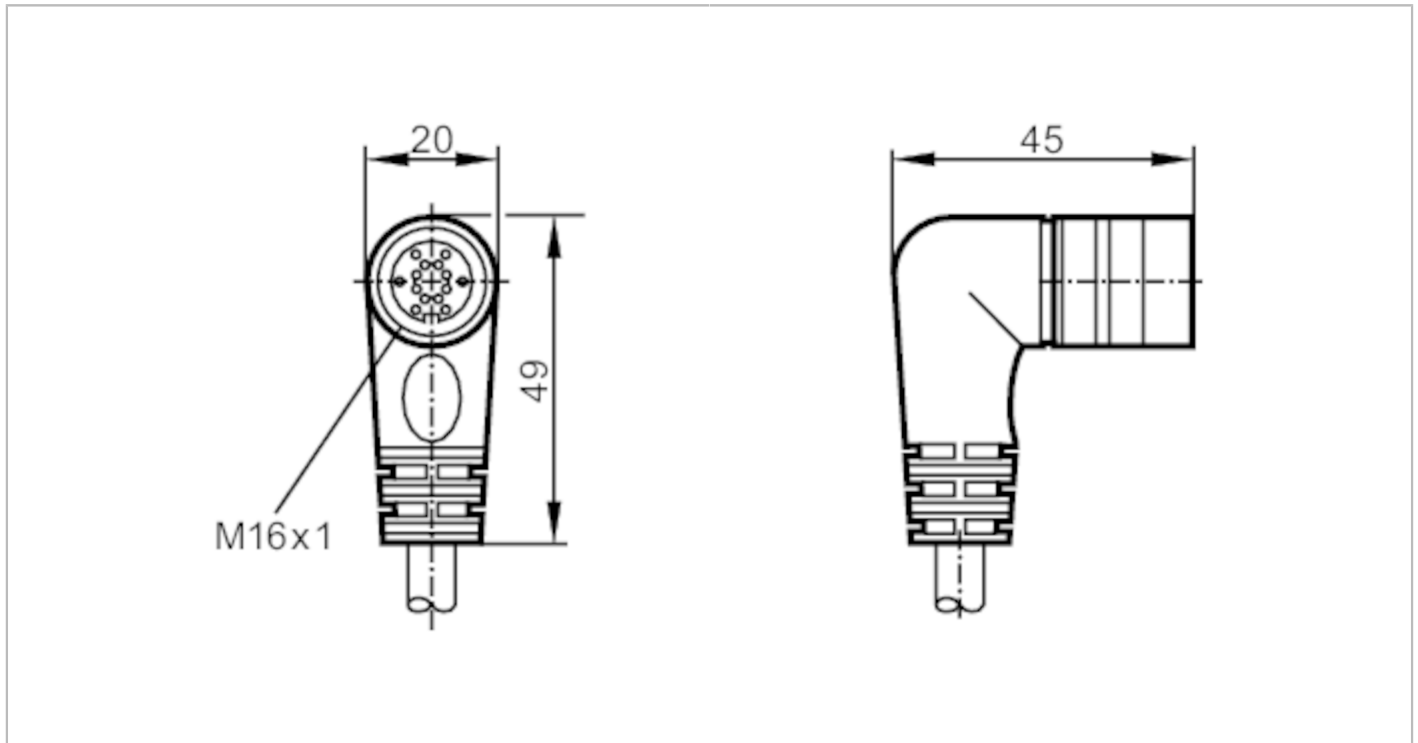


E11697



Connecting cable with socket

ADOAO140MSS0005B11



Electrical data

| | | |
|-------------------------|-----|---------|
| Operating voltage | [V] | < 30 DC |
| Max. current load total | [A] | 3 |

Operating conditions

| | | |
|---------------------|------|----------|
| Ambient temperature | [°C] | -25...90 |
| Protection | | IP 67 |

Mechanical data

| | | |
|-----------------------|------|----------------------|
| Weight | [g] | 421.5 |
| Dimensions | [mm] | 45 x 20 x 49 |
| Materials | | PUR |
| Moulded-body material | | PUR |
| Material nut | | brass, nickel-plated |

Remarks

| | | |
|---------------|--|--------|
| Pack quantity | | 1 pcs. |
|---------------|--|--------|

Electrical connection

Cable: 5 m, PUR, black, Ø 7.5 mm; 2 x 0.34 mm² (14 x Ø 0.15 mm) + 9 x 0.25 mm² (7 x Ø 0.2 mm)

Electrical connection - socket

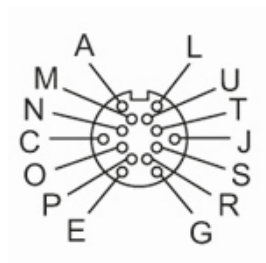
Connector: 1 x M16, angled; Moulded body: PUR; Locking: brass, nickel-plated

E11697



Connecting cable with socket

ADAO140MSS0005B11



Connection

| | |
|-----|-------|
| ⌋ A | BN |
| ⌋ C | GY/PK |
| ⌋ E | BK |
| ⌋ G | PK |
| ⌋ J | GN |
| ⌋ L | BU |
| ⌋ N | RD/BU |
| ⌋ O | VT |
| ⌋ P | WH |
| ⌋ S | GY |
| ⌋ T | YE |

M: not used

R: not used

U: not used

Core colours :

BK = black

BN = brown

BU = blue

GN = green

GY = grey

PK = pink

VT = lilac

WH = white

YE = yellow