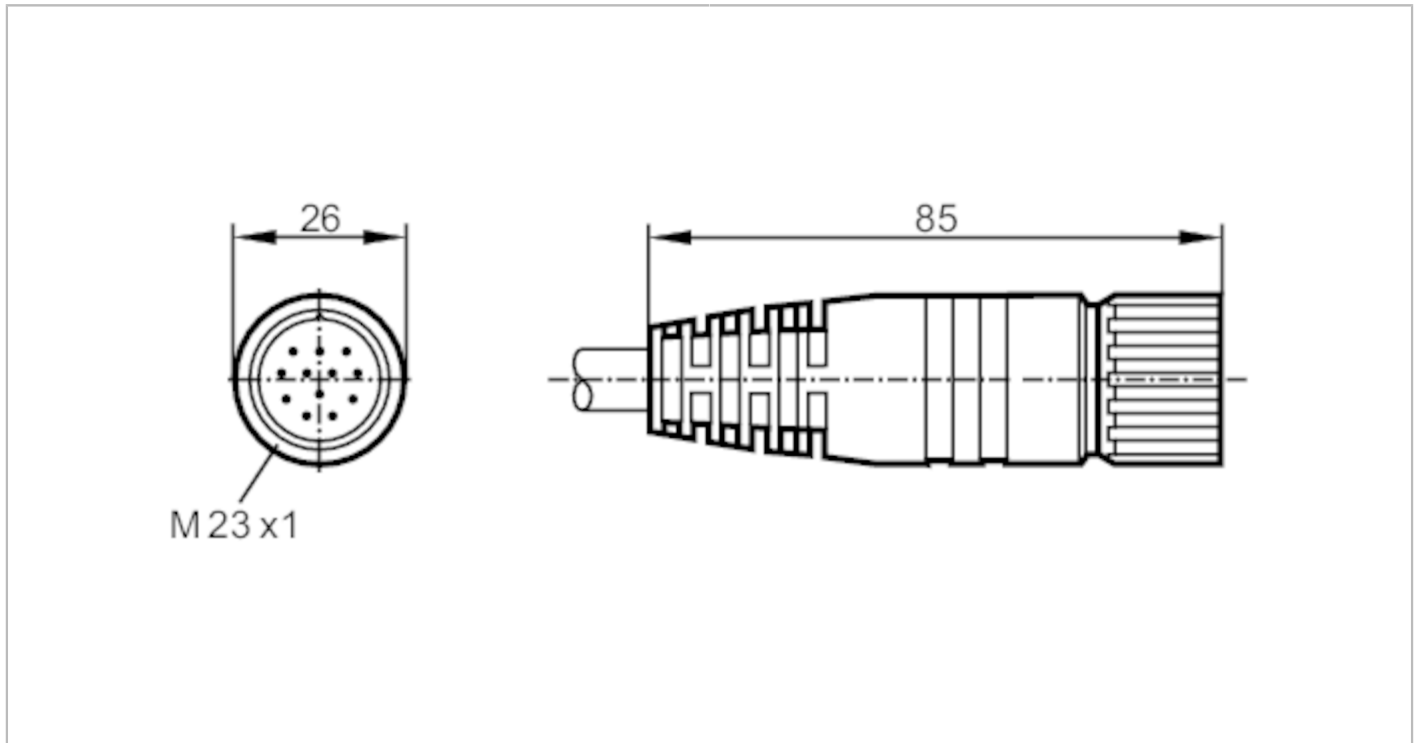


# E11736



## Connecting cable with socket

ADOGK120MSS0005H12



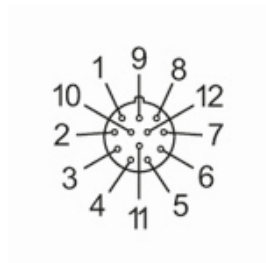
Application	
Special feature	Halogen-free
Electrical data	
Operating voltage [V]	< 63 AC/DC
Operating conditions	
Ambient temperature [°C]	-25...80
Protection	IP 67
Mechanical data	
Weight [g]	732
Dimensions [mm]	26 x 26 x 85
Materials	PUR black
Moulded-body material	PUR
Material nut	brass, nickel-plated
Tightening torque [Nm]	2
Remarks	
Pack quantity	1 pcs.
Electrical connection	
Cable: 5 m, PUR, Halogen-free, black, Ø 9.3 mm; 8 x 0.5 mm <sup>2</sup> (63 x Ø 0.1 mm ) + 3 x 1.0 mm <sup>2</sup> (127 x Ø 0.1 mm )	
Electrical connection - socket	
Connector: 1 x M23, straight; Moulded body: PUR; Locking: brass, nickel-plated	

# E11736

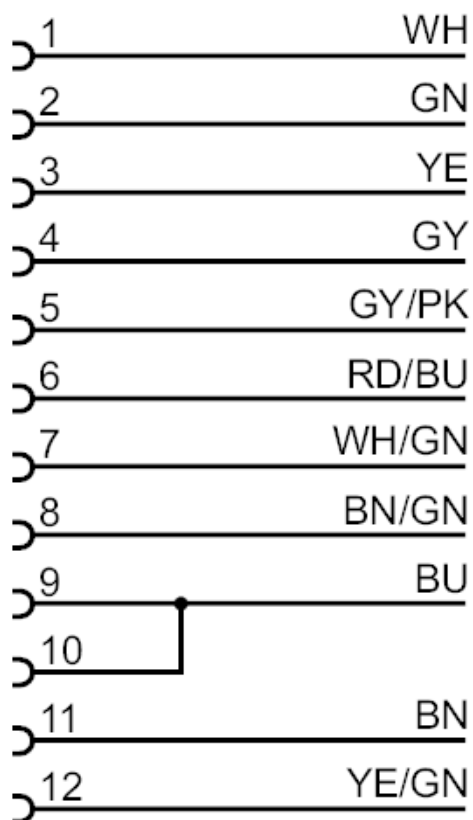


## Connecting cable with socket

ADOGK120MSS0005H12



### Connection



Core colours :

BN =	brown
BU =	blue
GN =	green
GY =	grey
PK =	pink
RD =	red
WH =	white
YE =	yellow