

# E11762



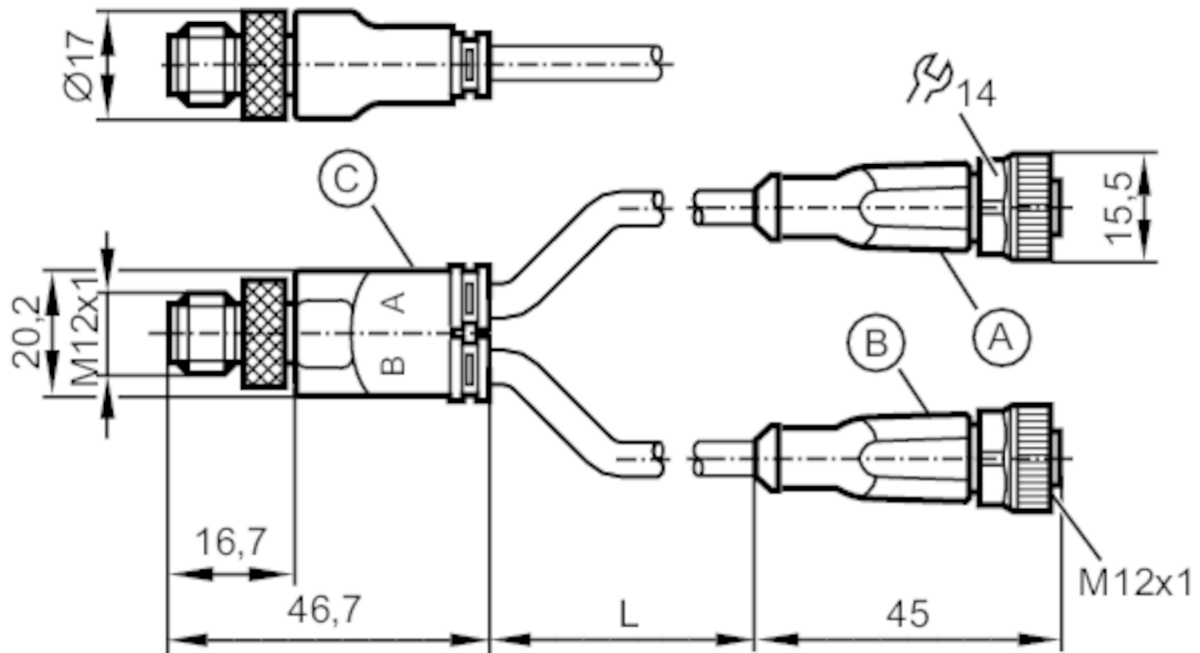
## Y connection cable

YDOGH040MSS0001H04STGH050MSS

Article no longer available - archive entry

Alternative articles: EVC431

When selecting an alternative article and accessories please note that technical data may differ!



### Application

Special feature	Free from silicone; Halogen-free; Gold-plated contacts
Free from silicone	yes

### Electrical data

Operating voltage	[V]	< 250 AC / < 300 DC
-------------------	-----	---------------------

### Operating conditions

Ambient temperature	[°C]	-25...90
Protection		IP 68

### Mechanical data

Weight	[g]	111.5
Moulded-body material		TPU / TPU
Material nut		brass, nickel-plated / brass, nickel-plated
Sealing material		plastics
Number of ports splitter box		2

### Remarks

Pack quantity		1 pcs.
---------------	--	--------

# E11762



## Y connection cable

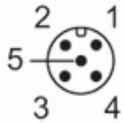
YDOGH040MSS0001H04STGH050MSS

### Electrical connection

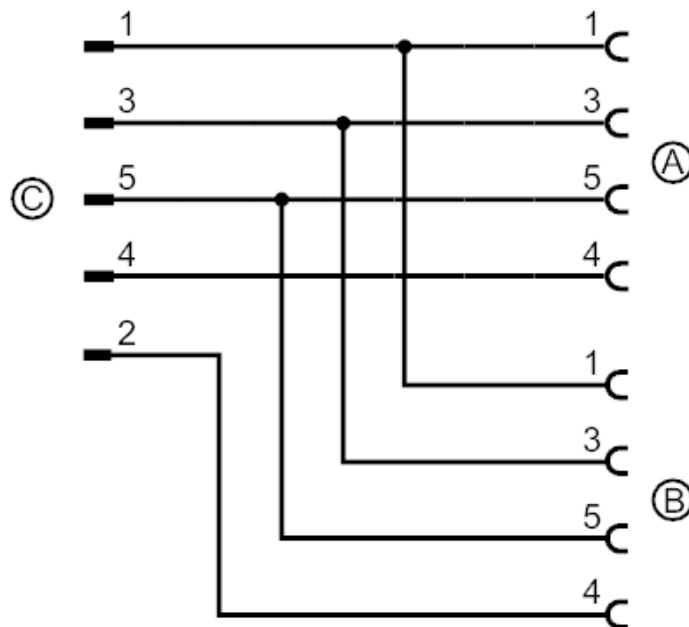
Cable: 1 m, PUR, Halogen-free, black, Ø 4.9 mm; 5 x 0.34 mm<sup>2</sup> (42 x Ø 0.1 mm )

### Electrical connection - plug

Connector: 2 x M12; Moulded body: TPU, black; Locking: brass, nickel-plated; Contacts: gold-plated



### Connection



### Electrical connection - socket

Connector: 2 x M12; Moulded body: TPU, black transparent; Locking: brass, nickel-plated; Sealing: plastics; Contacts: gold-plated

