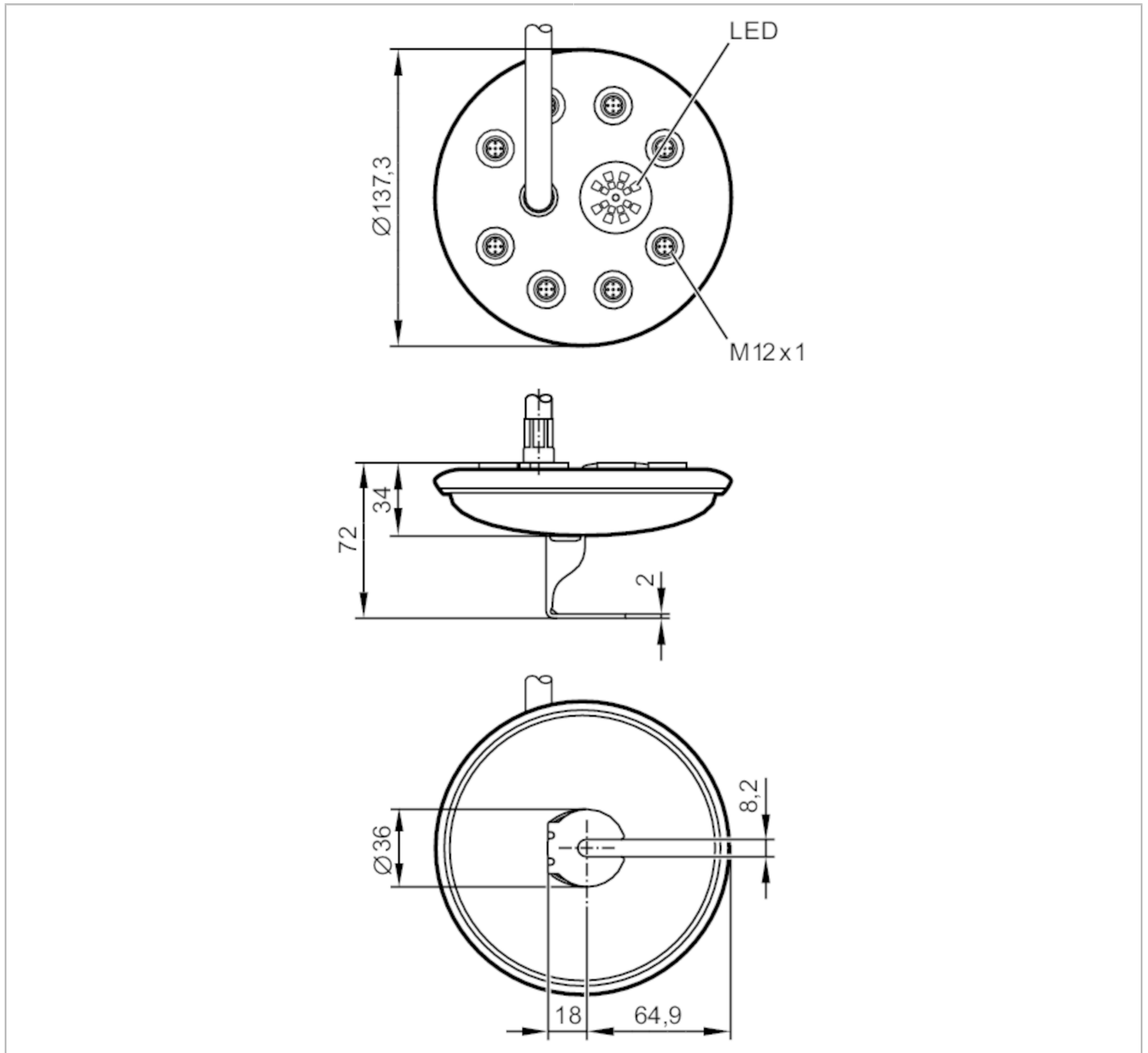


E11775



Splitter box

ProcessLine SB V4A 10m



Electrical data

Operating voltage	[V]	10...36 DC
Protection class		III
Max. current load per module/slot	[A]	4
Max. current load total	[A]	6

Outputs

Electrical design		PNP
-------------------	--	-----

E11775



Splitter box

ProcessLine SB V4A 10m

Operating conditions		
Ambient temperature	[°C]	-5...70
Protection	IP 69K; (To ensure the protection rating unused sockets must be covered with the supplied protective caps.; Tightening torque: 0,8 Nm)	
Tests / approvals		
MTTF	[years]	2487
Mechanical data		
Weight	[g]	2785.5
Dimensions	[mm]	Ø 137.3 / L = 72
Materials	stainless steel	
Moulded-body material	stainless steel	
Number of ports splitter box	8	
Connector type	M12	
Displays / operating elements		
Display	switching status	16 x LED, yellow
	operation	1 x LED, green
Accessories		
Items supplied	Protective caps: M12	
Remarks		
Remarks	external voltage supply according to PELV	
Pack quantity	1 pcs.	
Electrical connection		
Cable: 10 m, PUR / PVC, black, Ø 11 mm; 3 x 0.75 mm ² + 16 x 0.34 mm ²		
Electrical connection - slot		
Connector: 8 x M12; Moulded body: stainless steel		

The diagram shows a circular 8-pin M12 connector. The pins are arranged in a circle around a central point. The pins are numbered 1 through 5, starting from the top and moving clockwise: 1 (top), 2 (top-right), 3 (right), 4 (bottom-right), and 5 (bottom-left). There are three additional pins located between the numbered pins, but they are not numbered in this diagram.

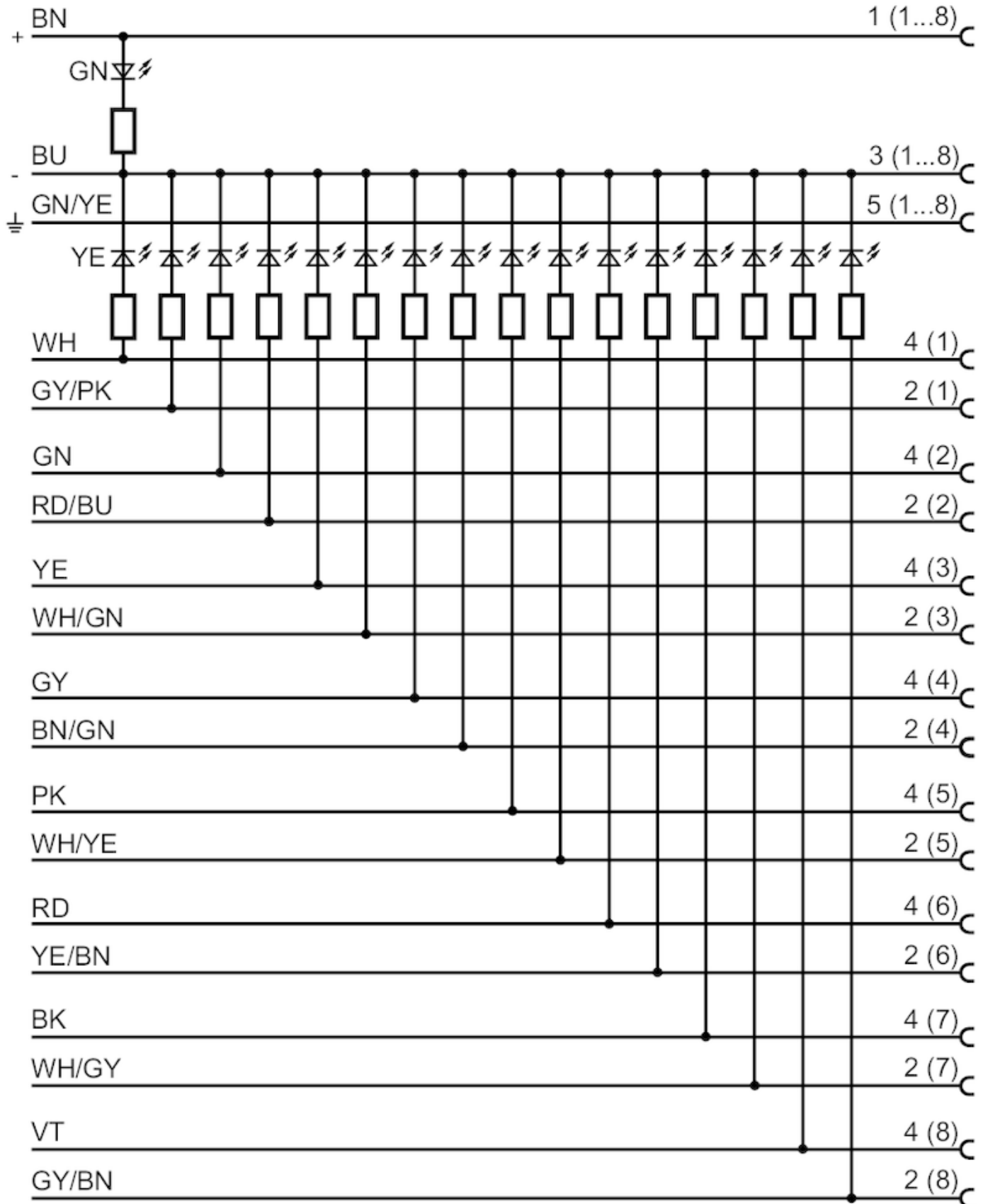
E11775



Splitter box

ProcessLine SB V4A 10m

Connection



Core colours :

BK = black

BN = brown

BU = blue

E11775

Splitter box

ProcessLine SB V4A 10m

