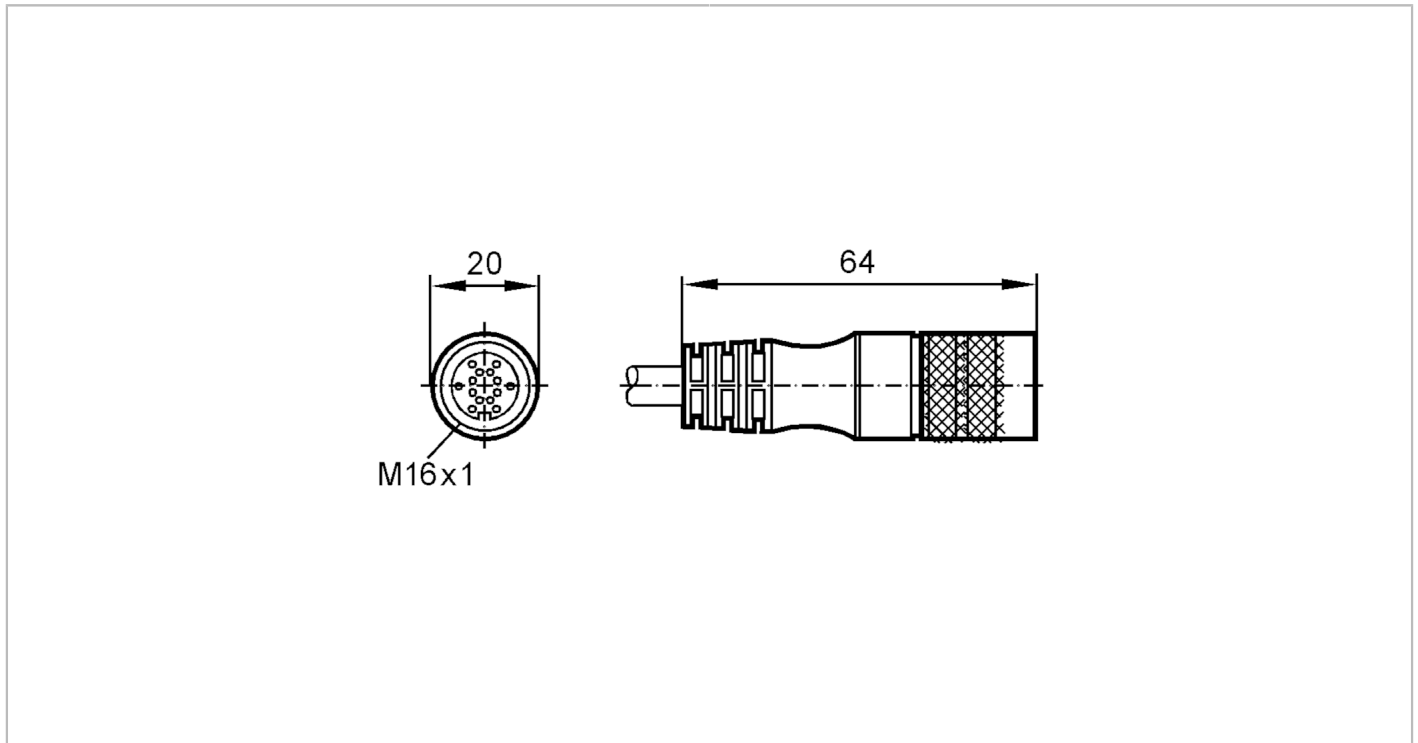


E11809



Connecting cable with socket

ADOGO014MSS0010B11



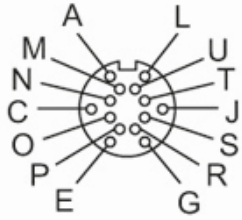
| Electrical data | |
|--|----------------------|
| Operating voltage [V] | < 30 DC |
| Max. current load total [A] | 3 |
| Operating conditions | |
| Ambient temperature [°C] | -25...90 |
| Protection | IP 67 |
| Mechanical data | |
| Weight [g] | 792.5 |
| Materials | PUR |
| Moulded-body material | PUR |
| Material nut | brass, nickel-plated |
| Remarks | |
| Pack quantity | 1 pcs. |
| Electrical connection | |
| Cable: 10 m, PUR, black, Ø 7.5 mm; 2 x 0.34 mm ² (14 x Ø 0.15 mm) + 9 x 0.25 mm ² (7 x Ø 0.2 mm) | |
| Electrical connection - socket | |
| Connector: 1 x M16, straight; Moulded body: PUR; Locking: brass, nickel-plated | |

E11809



Connecting cable with socket

ADOGO014MSS0010B11



Connection

| | |
|-----|-------|
| ⌋ A | BN |
| ⌋ C | GY/PK |
| ⌋ E | BK |
| ⌋ G | PK |
| ⌋ J | GN |
| ⌋ L | BU |
| ⌋ N | RD/BU |
| ⌋ O | VT |
| ⌋ P | WH |
| ⌋ S | GY |
| ⌋ T | YE |

M: not used

R: not used

U: not used

Core colours :

BK = black

BN = brown

BU = blue

GN = green

GY = grey

PK = pink

RD = red

VT = lilac

WH = white

YE = yellow