

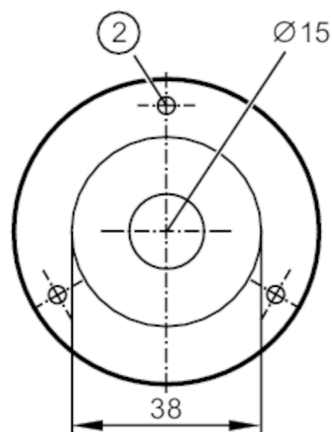
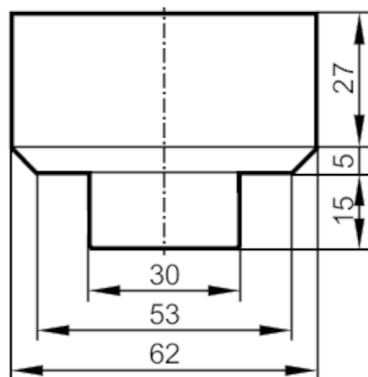
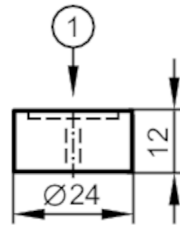
E12042



Mounting adapter for position sensors used on rising stem valves

ADAPTER_VALVIS_08

Article no longer available - archive entry



- 1 threaded hole M4 to fix the target on the valve piston
2 bore hole to fix the valve sensor on the adapter

Application

Design accessories for, for GEMÜ actuators with mounting kit, IX5010, IX5030

Mechanical data

Weight [g] 144.7

Materials Adapter: POM; Target: stainless steel

Accessories

Items supplied screws: 3, thread forming

Remarks

Pack quantity 1 pcs.