

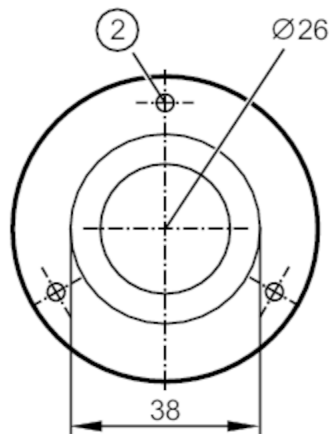
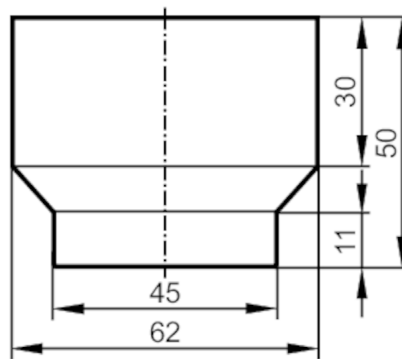
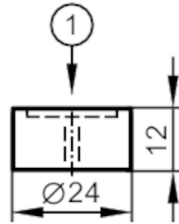
# E12043



## Mounting adapter for position sensors used on rising stem valves

ADAPTER VALVIS 09

Article no longer available - archive entry



- 1 threaded hole M5 to fix the target on the valve piston
- 2 bore hole to fix the valve sensor on the adapter

Application	
Design	accessories for, for GEMÜ actuators with mounting kit, IX5010, IX5030
Mechanical data	
Weight [g]	180
Materials	Adapter: POM; Target: stainless steel
Accessories	
Items supplied	screws: 3, thread forming
Remarks	
Pack quantity	1 pcs.