

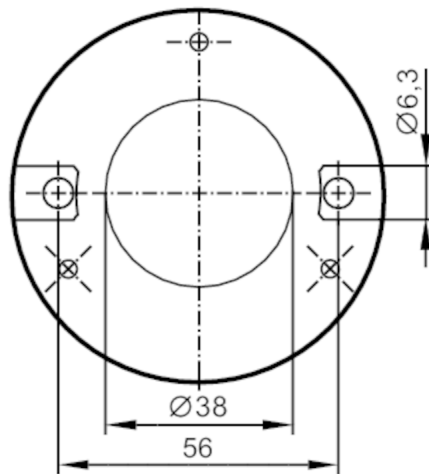
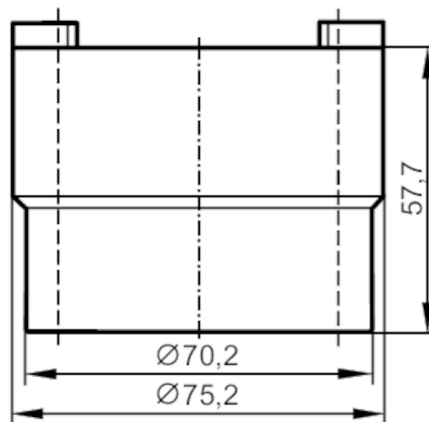
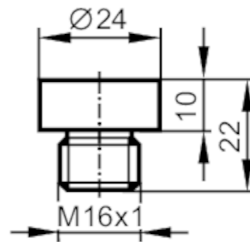
E12123



Mounting adapter for position sensors used on rising stem valves

ADAPTER VALVIS 12

Article no longer available - archive entry



Application

Design accessories for, for Kieselmann seat valves, IX5010, IX5030

Mechanical data

Weight [g] 350

Materials Adapter: PA; Target: stainless steel (1.4404 / 316L)

Accessories

Items supplied

- screws: 3, thread forming
- cylinder screws: 2 x M6 x 70
- washers: 2
- O-ring

E12123



Mounting adapter for position sensors used on rising stem valves

ADAPTER VALVIS 12

Remarks

Pack quantity	1 pcs.
---------------	--------