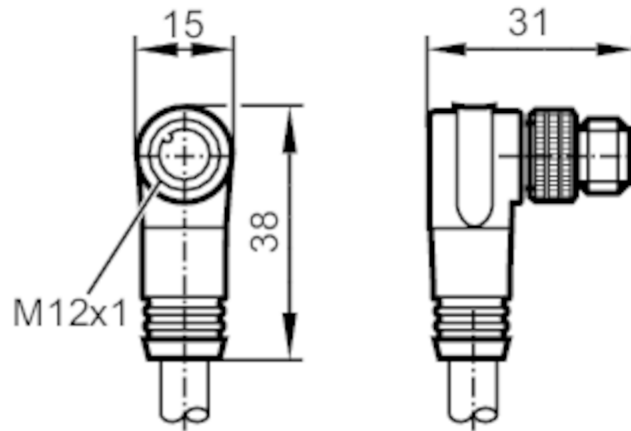


# E12215



## Connecting cable with plug

ASTGA050MSS0006C04



### Application

Special feature	Free from silicone; Halogen-free; Gold-plated contacts; Screened cable
Free from silicone	yes

### Electrical data

Operating voltage [V]	< 30 AC / < 36 DC
Protection class	II
Max. current load total [A]	4

### Operating conditions

Ambient temperature [°C]	-25...90
Protection	IP 68

### Mechanical data

Weight [g]	378.8
Dimensions [mm]	38 x 15 x 31
Materials	housing: TPU black
Material nut	brass, nickel-plated

### Remarks

Pack quantity	1 pcs.
---------------	--------

### Electrical connection

Cable: 6 m, PVC, Halogen-free, lilac, Ø 6.7 mm, shielded; 2 x 0.34 mm<sup>2</sup> / AWG 22 + 2 x 0.25 mm<sup>2</sup> / AWG 24

### Electrical connection - plug

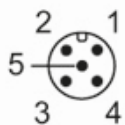
Connector: 1 x M12, angled; Locking: brass, nickel-plated; Contacts: gold-plated; Shielded connection cable: screen not connected

# E12215

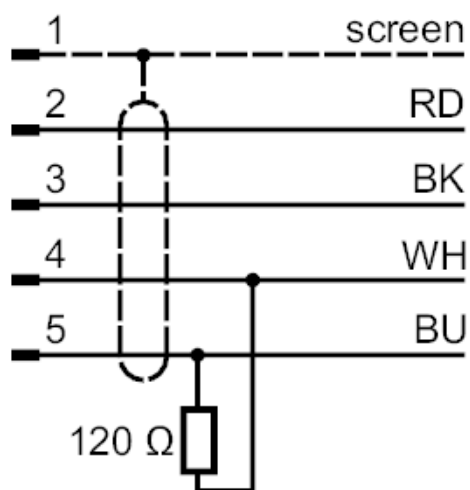


## Connecting cable with plug

ASTGA050MSS0006C04



### Connection



Core colours :

BK =	black
BU =	blue
RD =	red
WH =	white
screen =	screen