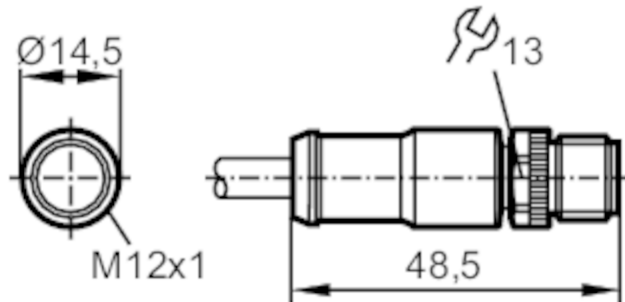


E12285



Connecting cable with plug

ASTGH050MSA0010H02



Application

Special feature Halogen-free; Gold-plated contacts; Screened cable; Drag chain suitability

Application CAN bus

Electrical data

Operating voltage [V] < 30 AC / < 36 DC

Max. current load total [A] 4

Operating conditions

Ambient temperature [°C] -25...85

Storage temperature [°C] -40...80

Protection IP 68

Mechanical data

Weight [g] 761

Dimensions [mm] 14.5 x 14.5 x 48.5

Materials PUR

Moulded-body material PUR

Material nut brass, nickel-plated

Drag chain suitability yes

bending radius for flexible use min. 10 x cable diameter

bending radius for fixed installation min. 5 x cable diameter

Drag chain suitability travel speed max. 3.3 m/s for a horizontal travel length of 5 m and max. acceleration of 5 m/s²

bending cycles > 1 Mio.

Remarks

Pack quantity 1 pcs.

E12285



Connecting cable with plug

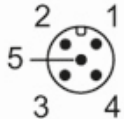
ASTGH050MSA0010H02

Electrical connection

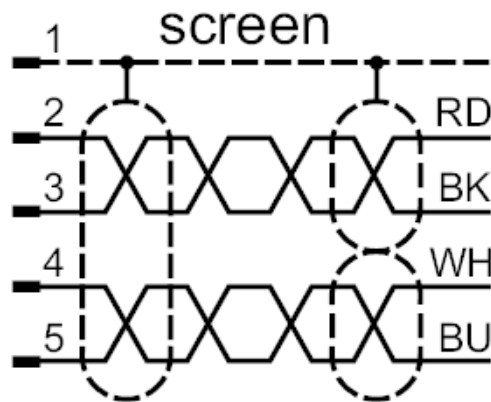
Cable: 10 m, PUR, Halogen-free, lilac, Ø 6.8 mm, shielded; 2 x 0.25 mm² (19 x Ø 0.13 mm) + 2 x 0.34 mm² (19 x Ø 0.16 mm) + 1 x 0.34 mm² (19 x Ø 0.16 mm)

Electrical connection - plug

Connector: 1 x M12, straight; Moulded body: PUR; Locking: brass, nickel-plated; Contacts: gold-plated; Tightening torque: 0.5 Nm



Connection



Core colours :

BK =	black
BU =	blue
RD =	red
WH =	white
screen =	screen