

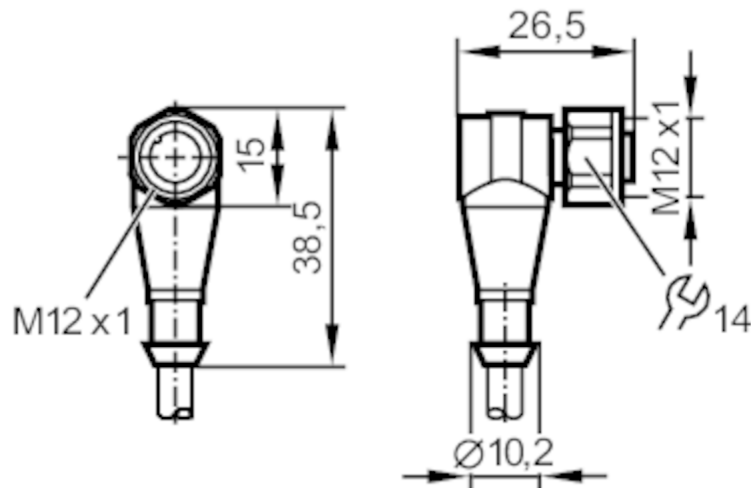
E12296



Connecting cable with socket

ADOAH080VAS0010E08

For 8-pole sockets the core colours are not standardised.
Please note the wiring of the sensor and the sockets (see data sheet).



| Application | |
|-----------------------------|--|
| Special feature | Free from silicone; Gold-plated contacts |
| Free from silicone | yes |
| Electrical data | |
| Operating voltage [V] | < 30 AC / < 36 DC |
| Max. current load total [A] | 2 |
| Operating conditions | |
| Ambient temperature [°C] | -25...100 |
| Protection | IP 68; IP 69K |
| Mechanical data | |
| Weight [g] | 637.5 |
| Dimensions [mm] | 26.5 x 15 x 38.5 |
| Materials | PVC |
| Moulded-body material | PVC |
| Material nut | stainless steel (1.4404 / 316L) |
| Remarks | |
| Pack quantity | 1 pcs. |

E12296



Connecting cable with socket

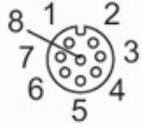
ADOAH080VAS0010E08

Electrical connection

Cable: 10 m, PVC, orange, \varnothing 6.6 mm; 8 x 0.25 mm² (32 x \varnothing 0.1 mm)

Electrical connection - socket

Connector: 1 x M12, angled; Moulded body: PVC; Locking: stainless steel (1.4404 / 316L); Contacts: gold-plated; Tightening torque: 0.7...0.9 Nm



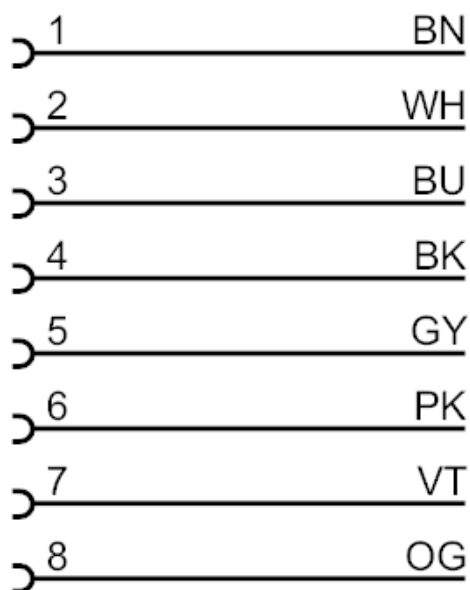
E12296



Connecting cable with socket

ADOAH080VAS0010E08

Connection



colours to DIN EN
60947-5-2

Core colours :

| | |
|------|--------|
| BK = | black |
| BN = | brown |
| BU = | blue |
| GY = | grey |
| PK = | pink |
| OG = | orange |
| VT = | lilac |
| WH = | white |