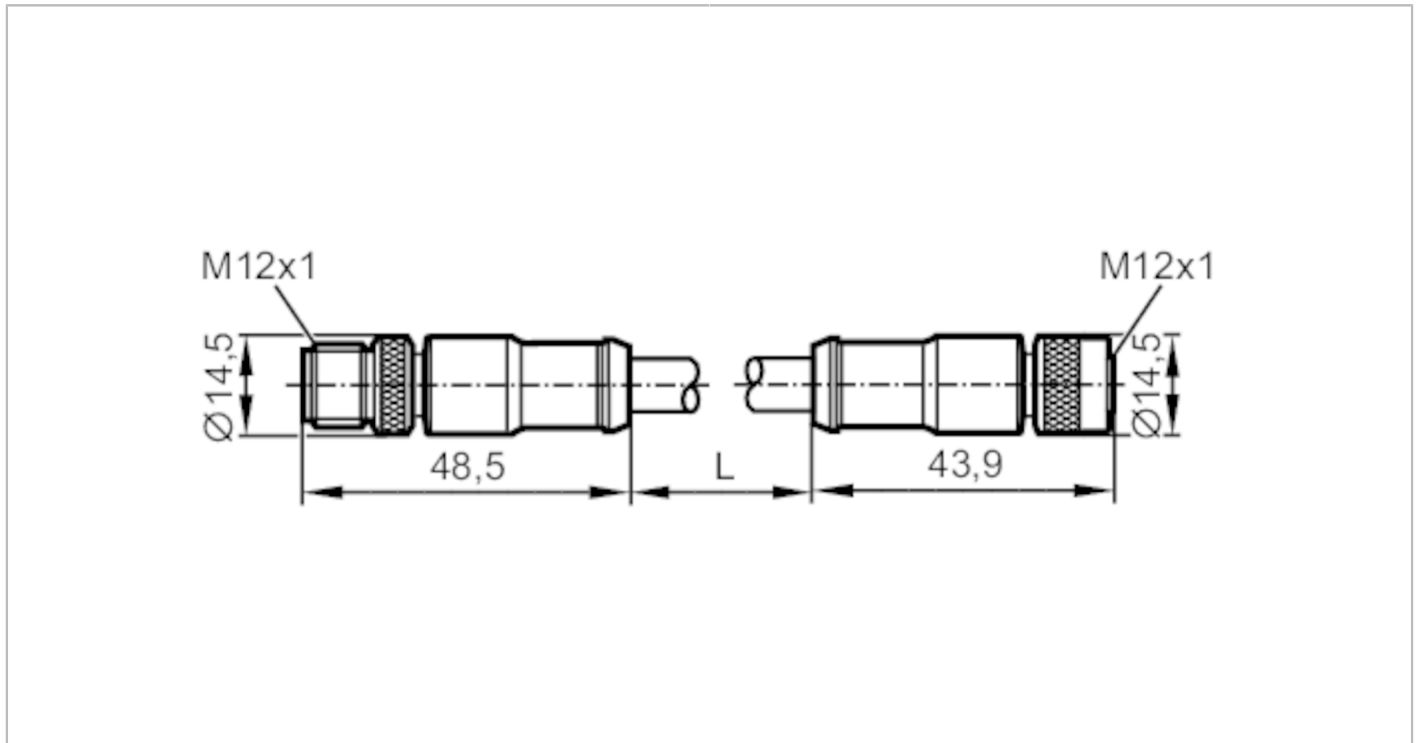


E12316



Connection cable

VDOGI020MSS0002K02STGI020MSS



Application		
Special feature	Halogen-free; Gold-plated contacts; Screened cable; Drag chain suitability	
Electrical data		
Operating voltage [V]	< 30 AC / < 36 DC	
Max. current load total [A]	4; (...40 °C)	
Operating conditions		
Ambient temperature [°C]	-40...70	
Ambient temperature (moving) [°C]	-20...50	
Protection	IP 67	
Mechanical data		
Weight [g]	160.6	
Dimensions [mm]	14.5 x 14.5 x 48.5	
Materials	PUR	
Moulded-body material	PUR / PUR	
Material nut	brass, nickel-plated / brass, nickel-plated	
Drag chain suitability	yes	
Drag chain suitability	bending radius for flexible use	min. 7.5 x cable diameter
	bending radius for fixed installation	min. 10 x cable diameter
	travel speed	max. 5.5 m/s for a horizontal travel length of 5m and max. acceleration of 10 m/s ²
	bending cycles	> 5 Mio.
	max. permissible tensile strength	50 N/mm ² static
		20 N/mm ² dynamic

E12316



Connection cable

VDOGI020MSS0002K02STGI020MSS

Remarks

Pack quantity

1 pcs.

Electrical connection - plug

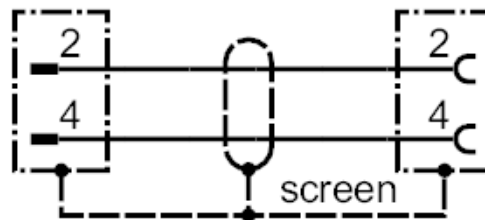
Connector: 1 x M12, straight; Moulded body: PUR; Locking: brass, nickel-plated; Contacts: gold-plated; Tightening torque: 0.6 Nm; Shielded connection cable: screen connected



Electrical connection

Cable: 2 m, PUR, Halogen-free, lilac, Ø 8 mm, shielded; 2 x 0.25 mm²

Connection



Core colours :

GN = green

RD = red

Electrical connection - socket

Connector: 1 x M12, straight; Moulded body: PUR; Locking: brass, nickel-plated; Contacts: gold-plated; Tightening torque: 0.6 Nm; Shielded connection cable: screen connected

