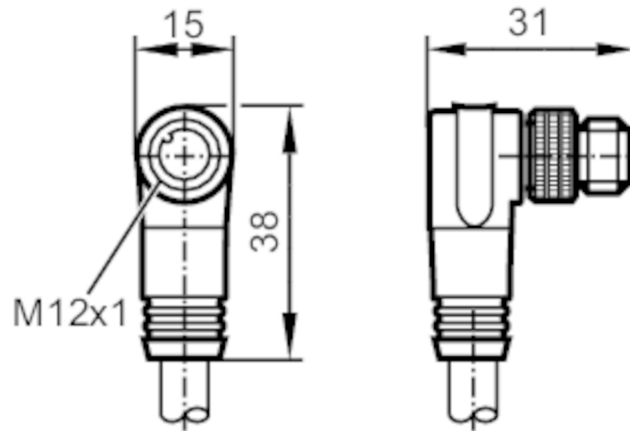


E12347



Connecting cable with plug

ASTGA050MSS0010C04



Application

Special feature	Free from silicone; Gold-plated contacts; Screened cable
Free from silicone	yes

Electrical data

Operating voltage [V]	< 30 AC / < 36 DC
Protection class	II
Max. current load total [A]	4

Operating conditions

Ambient temperature [°C]	-25...90
Protection	IP 68

Mechanical data

Weight [g]	314
Dimensions [mm]	38 x 15 x 31
Materials	housing: TPU black
Material nut	brass, nickel-plated

Remarks

Pack quantity	1 pcs.
---------------	--------

Electrical connection

Cable: 10 m, PVC, lilac, Ø 6.7 mm, shielded; 2 x 0.34 mm² / AWG 22 + 2 x 0.25 mm² / AWG 24

Electrical connection - plug

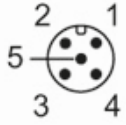
Connector: 1 x M12, angled; Locking: brass, nickel-plated; Contacts: gold-plated; Shielded connection cable: screen not connected

E12347

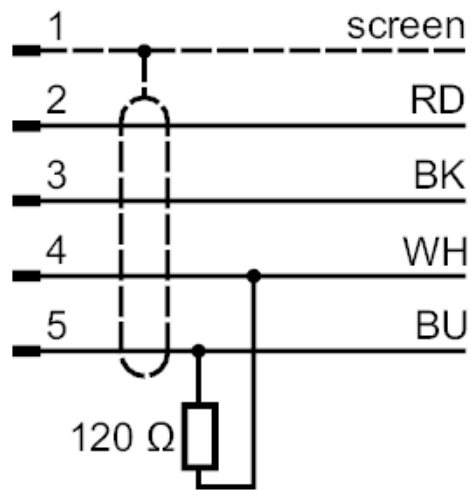


Connecting cable with plug

ASTGA050MSS0010C04



Connection



Core colours :

BK =	black
BU =	blue
RD =	red
WH =	white
screen =	screen