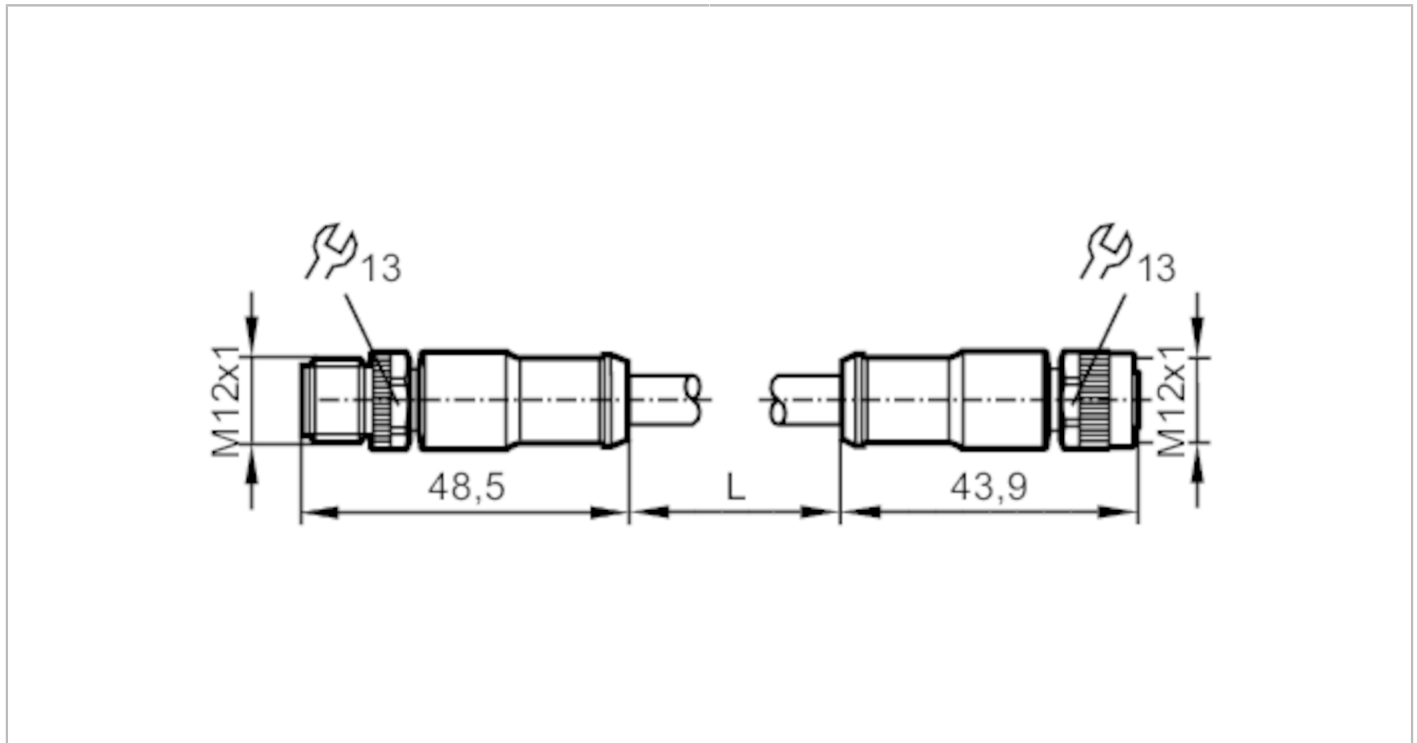


# E12363



## Connection cable

VDOGH050MSA0015C05STGH050MSS



| Application                 |  |  |
|-----------------------------|--|--|
| Special feature             | Halogen-free; Gold-plated contacts; Screened cable; Drag chain suitability |  |
| Application                 | CAN bus  |  |
| Electrical data             |  |  |
| Operating voltage [V]       | < 30 AC / < 36 DC  |  |
| Max. current load total [A] | 4  |  |
| Operating conditions        |  |  |
| Ambient temperature [°C]    | -25...85   |  |
| Storage temperature [°C]    | -40...80   |  |
| Protection                  | IP 68  |  |
| Mechanical data             |  |  |
| Weight [g]                  | 1085   |  |
| Dimensions [mm]             | 14.5 x 14.5 x 48.5   |  |
| Materials                   | PUR  |  |
| Moulded-body material       | PUR / PUR  |  |
| Material nut                | diecast zinc, nickel-plated / diecast zinc, nickel-plated                  |  |
| Drag chain suitability      | yes  |  |
| Drag chain suitability      | bending radius for flexible use  | min. 10 x cable diameter   |
|                             | bending radius for fixed installation                                      | min. 5 x cable diameter  |
|                             | travel speed   | max. 3.3 m/s for a horizontal travel length of 5 m and max. acceleration of 5 m/s <sup>2</sup> |
|                             | bending cycles   | > 1 Mio.   |
| Remarks                     |  |  |
| Pack quantity               | 1 pcs.   |  |

# E12363

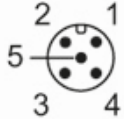


## Connection cable

VDOGH050MSA0015C05STGH050MSS

### Electrical connection - plug

Connector: 1 x M12, straight; Moulded body: PUR; Locking: diecast zinc, nickel-plated; Contacts: gold-plated; Tightening torque: 0.5 Nm

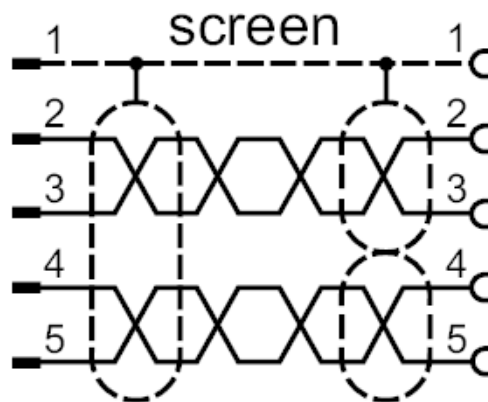


### Electrical connection

Cable: 15 m, PUR, Halogen-free, lilac, Ø 6.8 mm, shielded; twisted; 2 (RD) / 3 (BK): 2 x 0.25 mm<sup>2</sup> (19 x Ø 0.13 mm) / twisted + 4 (WH) / 5 (BU): 2 x 0.34 mm<sup>2</sup> (19 x Ø 0.16 mm) / twisted

Cable: 15 m, PUR, Halogen-free, lilac, Ø 6.8 mm, shielded; Screen; 1: 1 x 0.34 mm<sup>2</sup> (19 x Ø 0.16 mm)

### Connection



Core colours :

|          |        |
|----------|--------|
| BK =     | black  |
| BU =     | blue   |
| RD =     | red    |
| WH =     | white  |
| screen = | screen |

### Electrical connection - socket

Connector: 1 x M12, straight; Moulded body: PUR; Locking: diecast zinc, nickel-plated; Contacts: gold-plated; Tightening torque: 0.5 Nm

# E12363



## Connection cable

VDOGH050MSA0015C05STGH050MSS

