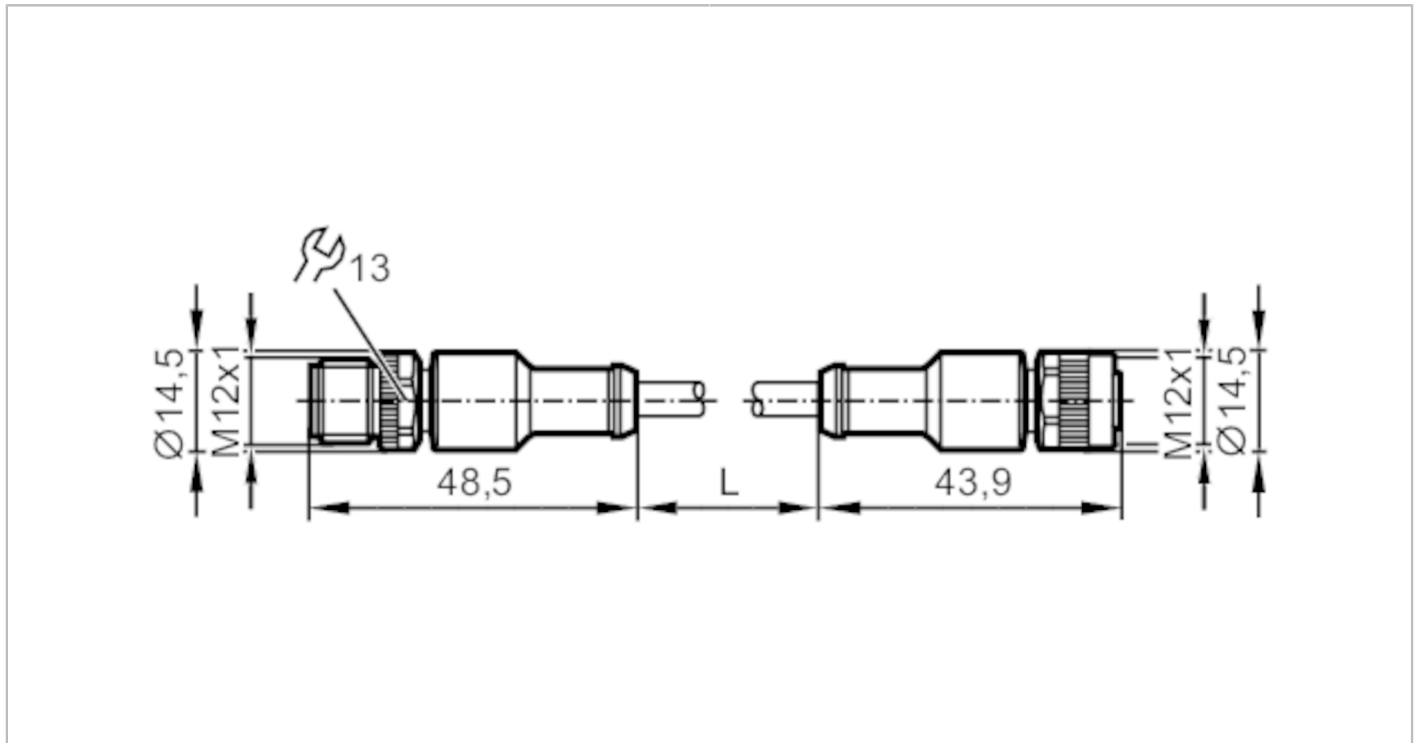


# E12435



## Connection cable

VDOGH042SCS0030T04STGH040SCS



Application	
Special feature	Free from silicone; Gold-plated contacts
Application	welding applications
Free from silicone	yes
Electrical data	
Operating voltage [V]	10...36 DC
Protection class	II
Max. current load total [A]	4
Outputs	
Electrical design	PNP
Operating conditions	
Ambient temperature [°C]	-25...85
Ambient temperature (moving) [°C]	-25...85
Protection	IP 68
Mechanical data	
Weight [g]	816.2
Dimensions [mm]	14.5 x 14.5 x 48.5
Moulded-body material	PUR / PUR
Material nut	diecast zinc / diecast zinc
Sealing material	FKM

# E12435



## Connection cable

VDOGH042SCS0030T04STGH040SCS

Displays / operating elements		
Display	switching status	1 x LED, yellow
	operation	1 x LED, green
Remarks		
Remarks	with 2 label holders 30 mm long	
Pack quantity	1 pcs.	

### Electrical connection - plug

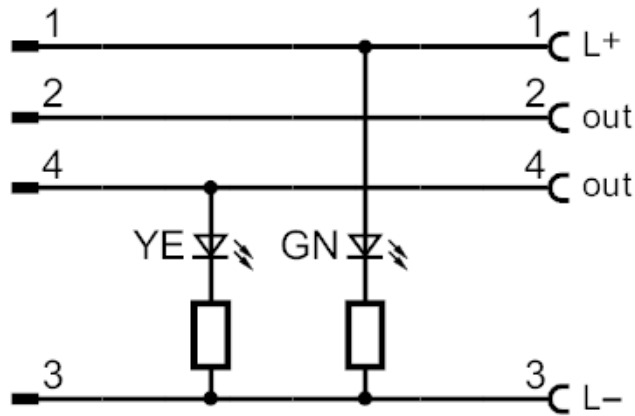
Connector: 1 x M12, straight; Moulded body: PUR; Locking: diecast zinc; Contacts: gold-plated; Tightening torque: 0.6...1.5 Nm



### Electrical connection

Cable: 30 m, PUR, black, Ø 4.9 mm; not irradiated (can be recycled); resistant to welding sparks; 4 x 0.34 mm<sup>2</sup> (42 x Ø 0.1 mm )

### Connection



### Electrical connection - socket

Connector: 1 x M12, straight; Moulded body: PUR, transparent; Locking: diecast zinc; Sealing: FKM; Contacts: gold-plated; Tightening torque: 0.6...1.5 Nm

