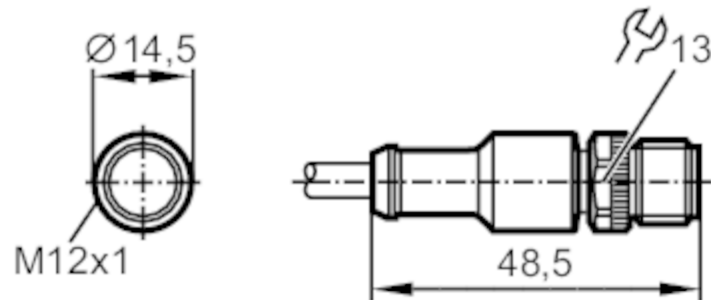


E12455



Connecting cable with plug

ASTGH120MSS0005H12



Application	
Special feature	Gold-plated contacts
Electrical data	
Operating voltage [V]	< 50 AC / < 60 DC
Protection class	II
Max. current load total [A]	2
Operating conditions	
Ambient temperature [°C]	-25...70
Ambient temperature (moving) [°C]	-5...70
Protection	IP 68
Mechanical data	
Weight [g]	329.5
Dimensions [mm]	14.5 x 14.5 x 48.4
Materials	PUR
Moulded-body material	PUR
Material nut	diecast zinc, nickel-plated
Remarks	
Pack quantity	1 pcs.

E12455



Connecting cable with plug

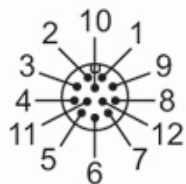
ASTGH120MSS0005H12

Electrical connection

Cable: 5 m, PUR, black, \varnothing 6.5 mm; 12 x 0.25 mm² (19 x \varnothing 0.13 mm)

Electrical connection - plug

Connector: 1 x M12, straight; Moulded body: PUR; Locking: diecast zinc, nickel-plated; Contacts: gold-plated; Tightening torque: 0.7...0.9 Nm



E12455



Connecting cable with plug

ASTGH120MSS0005H12

Connection

1	BN
2	BU
3	WH
4	GN
5	PK
6	YE
7	BK
8	GY
9	RD
10	VT
11	GY/PK
12	RD/BU

Core colours :

BN =	brown
BU =	blue
GN =	green
GY =	grey
GY/PK =	grey/pink
PK =	pink
RD =	red
VT =	lilac
WH =	white
YE =	yellow
RD/BU =	red/blue