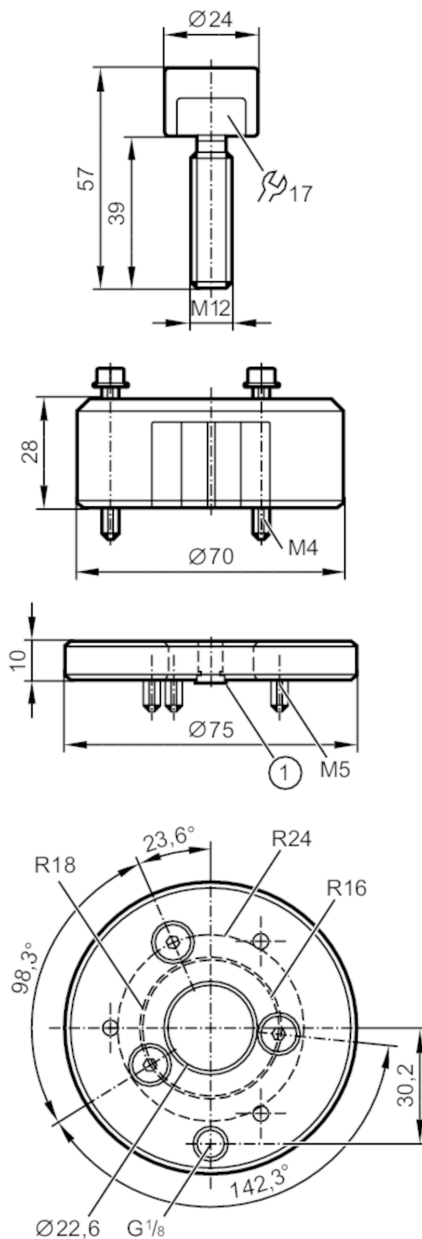


# E12501



## Mounting adapter for position sensors used on rising stem valves

VALVIS ADAPTER 21



1 Sealing

Application	
Design	for SPX/APV valves type butterfly valves
Mechanical data	
Weight	[g] 500,5
Materials	flange: stainless steel; spacer: POM; Target: stainless steel (1.4404 / 316L); Sealing: FKM 80 Shore A
Accessories	
Items supplied	cylinder screws: 3 x M4 x 40, stainless steel
	washers: 3 x A4,3
	countersunk screws: 3 x M5 x 16, stainless steel
	Sealing: 1 x 7,5 x 1,5

# E12501



## Mounting adapter for position sensors used on rising stem valves

VALVIS ADAPTER 21

### Remarks

Pack quantity	1 pcs.
---------------	--------