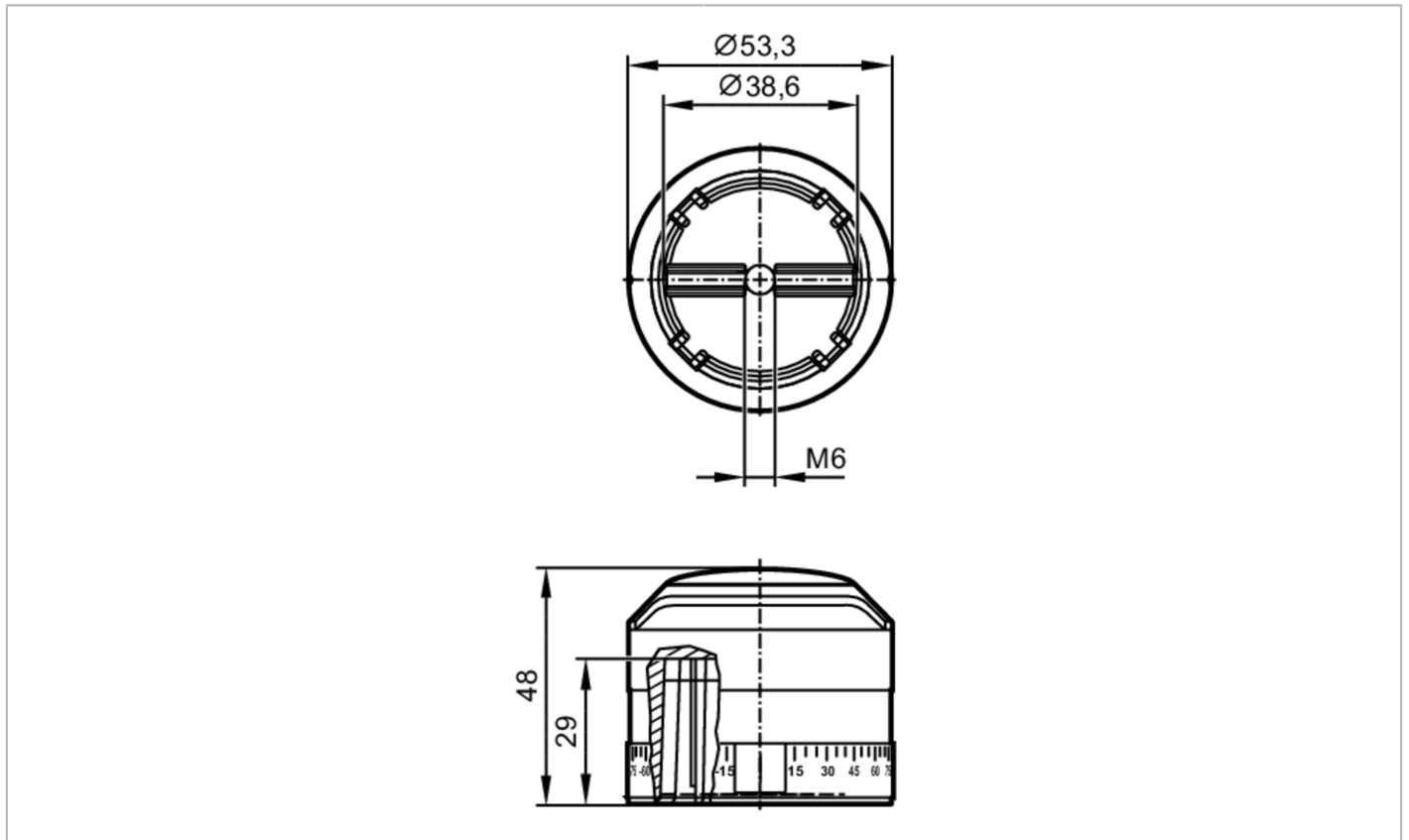


E12516



Target pucks for valve actuators

PUCK 53MM ADJUSTABLE



Application	
Design	for mechanical interfaces to pneumatic actuators or manually-operated valves VDI / VDE 3845, ISO 5211 / DIN 3337
Mechanical data	
Weight [g]	58
Target puck diameter [mm]	53
Hole spacing [mm]	80
Shaft height of valve drive [mm]	30
Materials	target puck: PA 6 black; metal parts: stainless steel
Tightening torque [Nm]	2.5...3
Accessories	
Items supplied	half-round head screw: 1 x M6 x 16, stainless steel EN ISO 7380-2:2011
Remarks	
Pack quantity	1 pcs.