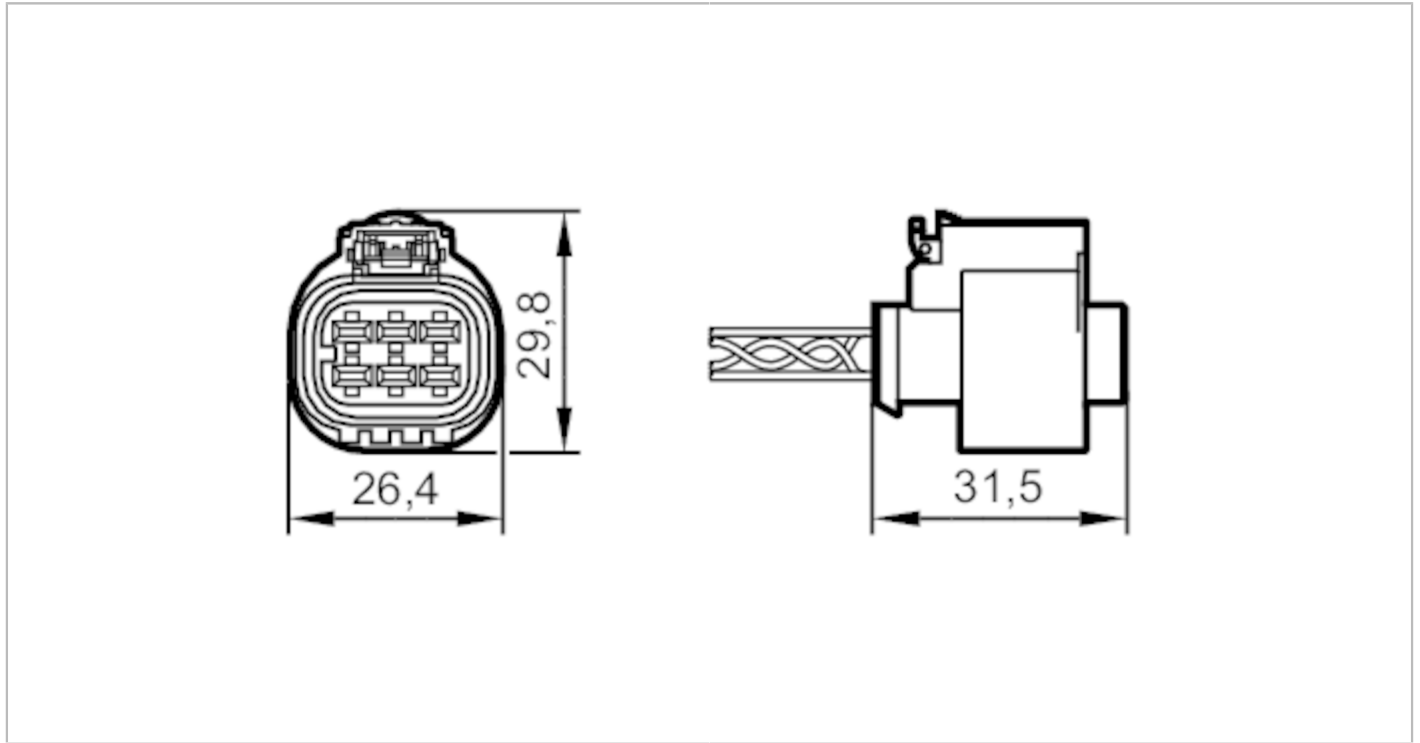


E12566



Connecting cable with socket

ADOGX060--A005E06



Electrical data

Operating voltage	[V]	12...24 DC
-------------------	-----	------------

Operating conditions

Ambient temperature	[°C]	-40...100
---------------------	------	-----------

Ambient temperature (moving)	[°C]	-40...100
------------------------------	------	-----------

Mechanical data

Weight	[g]	576.5
--------	-----	-------

Materials	PBT
-----------	-----

Remarks

Pack quantity	1 pcs.
---------------	--------

E12566



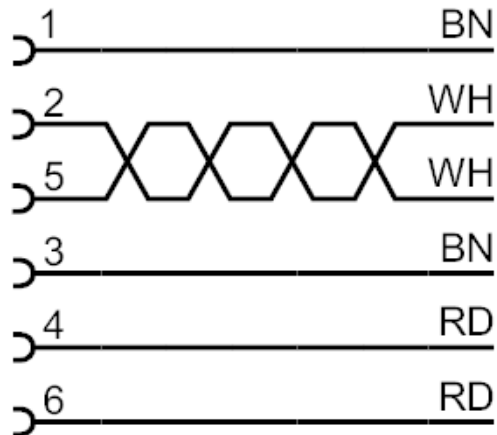
Connecting cable with socket

ADOGX060--A005E06

Electrical connection

Cable: 5 m, PVC; 4 x 2.5 mm² + 2 x 0.5 mm²

Connection



Core colours :

BN =

brown

RD =

red

WH =

white