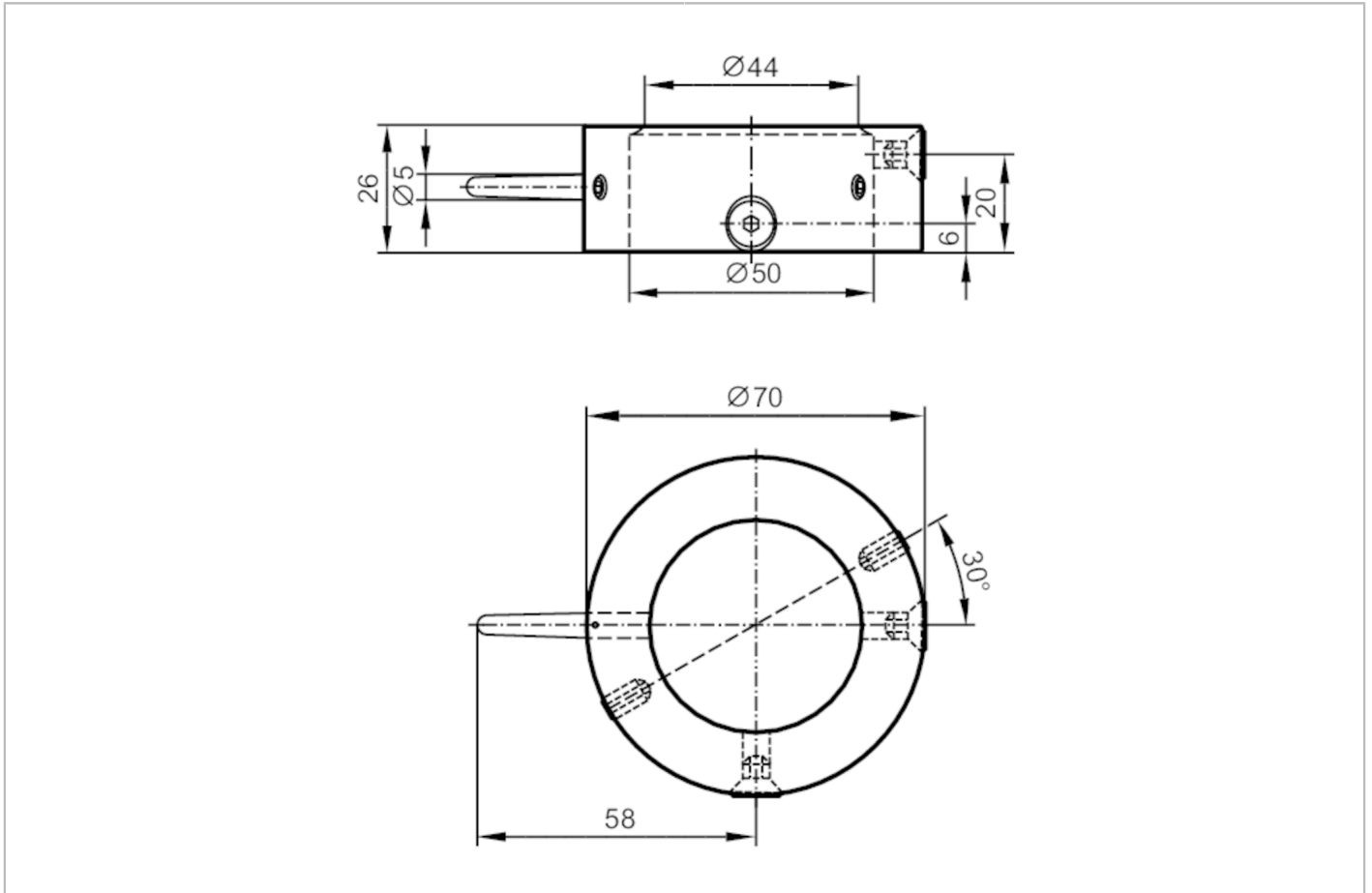


E17012



Target pucks for valve actuators

PUCK D70 +90/-0 / W50



| Application | |
|---------------------------|---|
| Design | for butterfly valve |
| Mechanical data | |
| Weight [g] | 65 |
| Target puck diameter [mm] | 70 |
| Materials | target puck: PA 6; pointer: silicone RAL 3020 |
| Tightening torque [Nm] | 2; (screws) |
| Accessories | |
| Items supplied | screws |
| | set screws: 2 x M5 x 10, stainless steel |
| | targets |
| | countersunk screws: 2 x M5 x 8, stainless steel |
| Remarks | |
| Pack quantity | 1 pcs. |