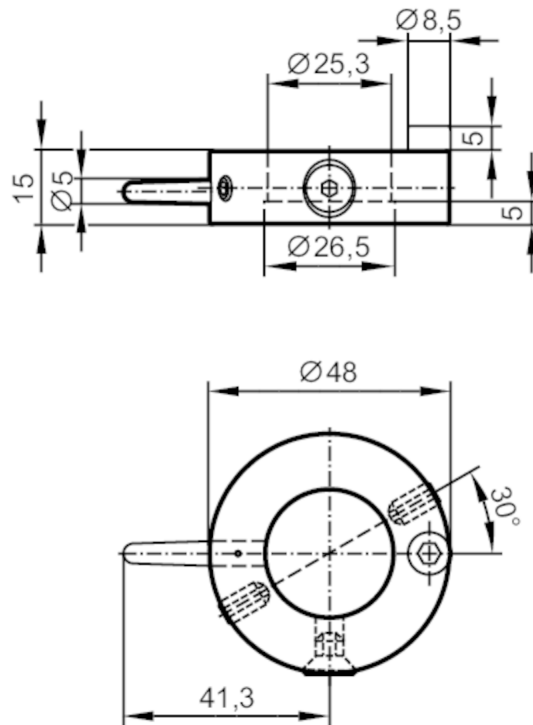


E17013



Target pucks for valve actuators

PUCK D48 +90/-0 / W25



Application	
Design	for butterfly valve
Mechanical data	
Weight [g]	29
Target puck diameter [mm]	48
Materials	target puck: PA 6; pointer: silicone RAL 3020; counter-sunk screw: stainless steel (1.4305 / 303); head cap screw: stainless steel (1.4301 / 304); set screw: \$1_4301; locking pin: stainless steel (1.4301 / 304)
Tightening torque [Nm]	2; (screws)
Accessories	
Items supplied	screws
	set screws: 2 x M5 x 10, stainless steel
	targets
	head cap screw: 1 x M5 x 6, stainless steel counter-sunk screw: 1 x M5 x 8, stainless steel
Remarks	
Pack quantity	1 pcs.