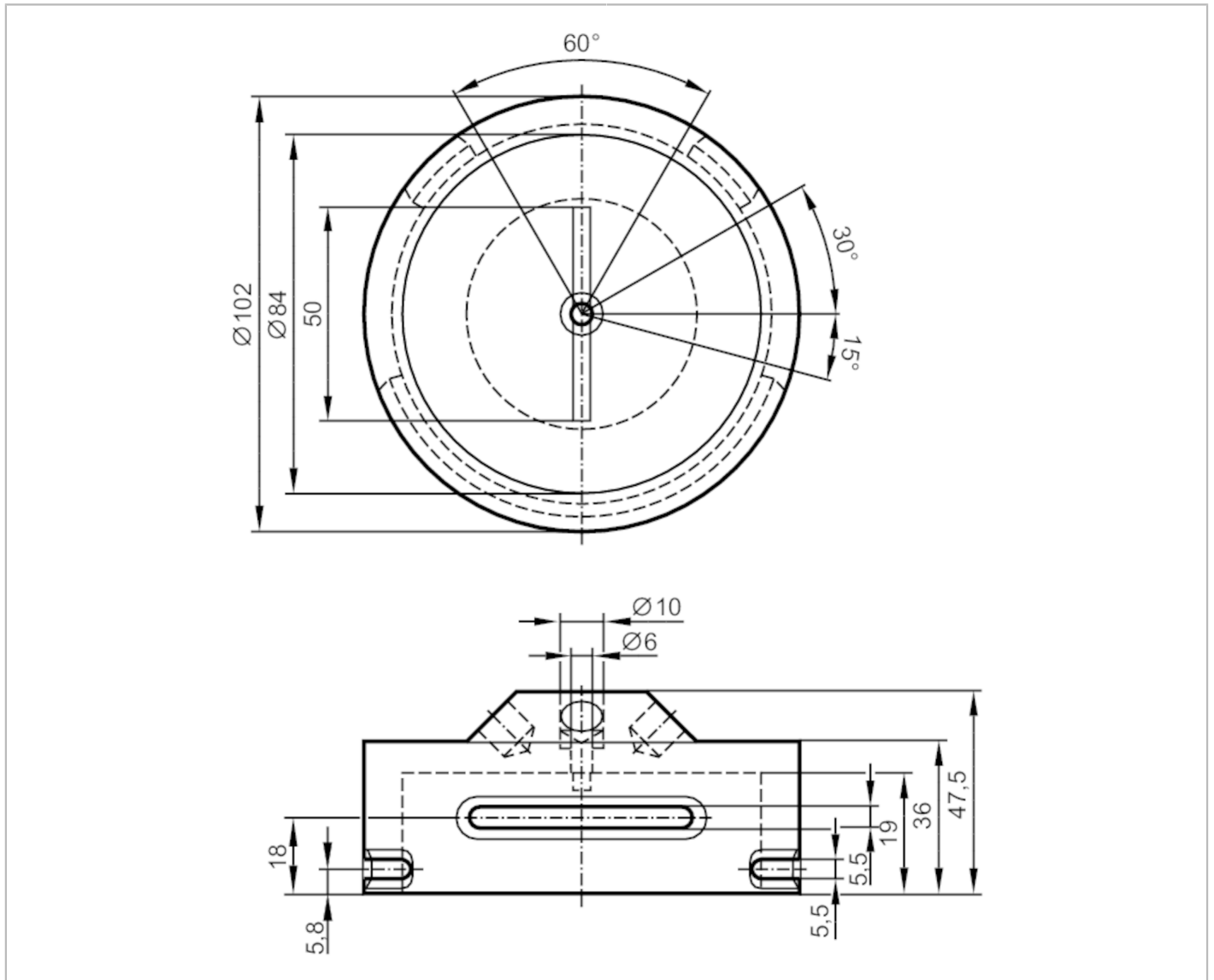


E17337



Target pucks for valve actuators

Puck d=102mm



Application

Design

for mechanical interfaces to pneumatic actuators or manually-operated valves VDI / VDE 3845, ISO 5211 / DIN 3337

Mechanical data

Weight	[g]	187.2
Target puck diameter	[mm]	102
Hole spacing	[mm]	130
Shaft height of valve drive	[mm]	30
Housing colour		black
Materials		target puck: PVC; screws: stainless steel (1.4571/316Ti)

Remarks

Pack quantity

1 pcs.