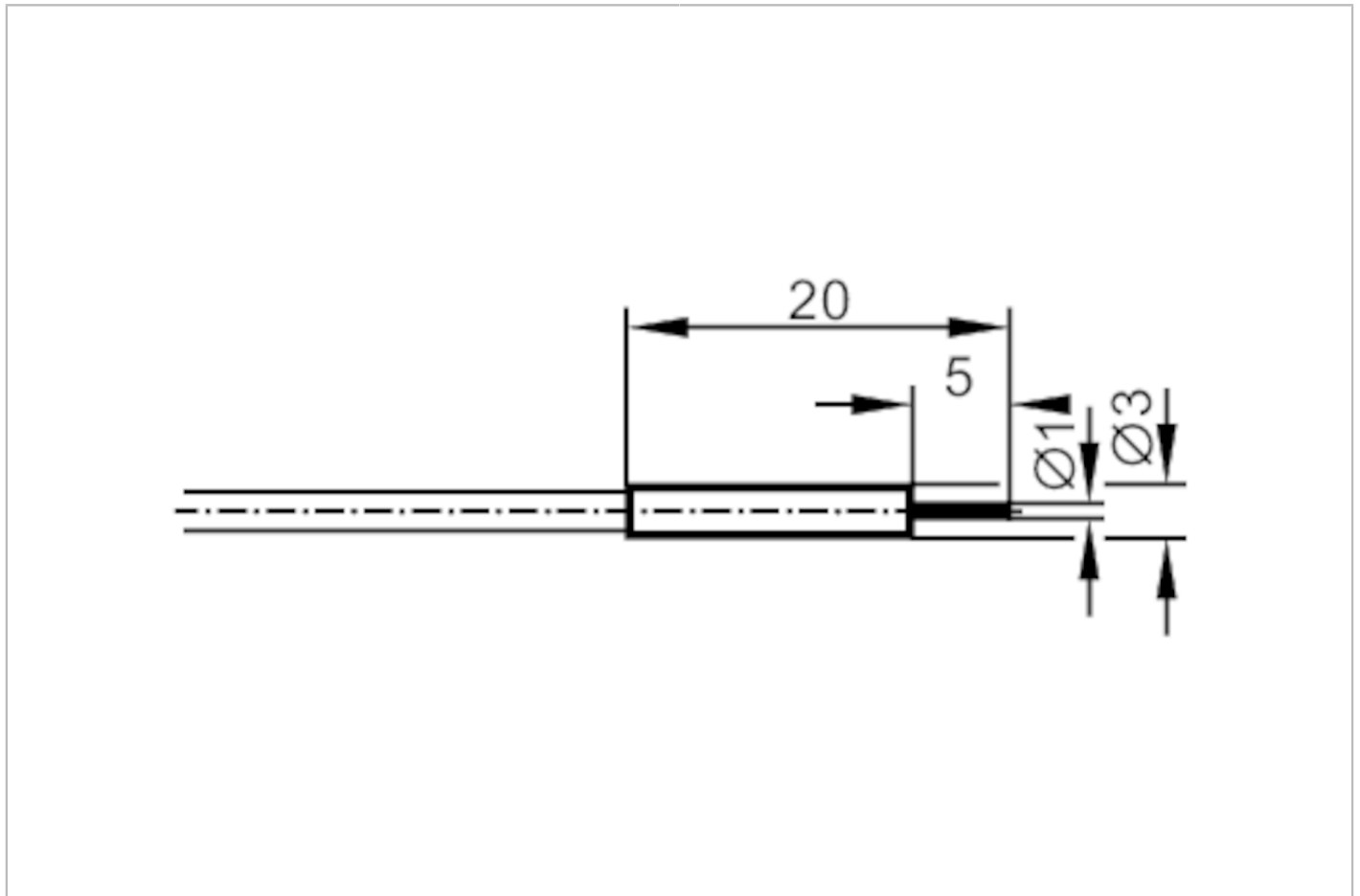


# E20053



## Fibre optic diffuse reflection sensor

FT-00-P-V-E1



Application	
Function principle	Diffuse reflection sensor
Detection zone	
Range with fibre optic amplifier type	OKF; OUF; OOF
OKF	
Range fibre optics [mm]	8
OOF	
Range fibre optics [mm]	24
OUF	
Range fibre optics [mm]	8
Operating conditions	
Ambient temperature [°C]	-20...80

# E20053



## Fibre optic diffuse reflection sensor

FT-00-P-V-E1

Mechanical data	
Weight	[g] 37.5
Version of sensing head	straight
Sensing head diameter	[mm] 1
Sensing head length	[mm] 5
Total length	[mm] 600
Min. bending radius	[mm] 20
Fibre arrangement	Ⓢ
Materials	Adapter: PPE
Fibre material	glass
Fibre head material	stainless steel (1.4305 / 303)
Fibre sheath material	PVC
Accessories	
Items supplied	Mounting clamp:, E20107
Remarks	
Pack quantity	1 pcs.