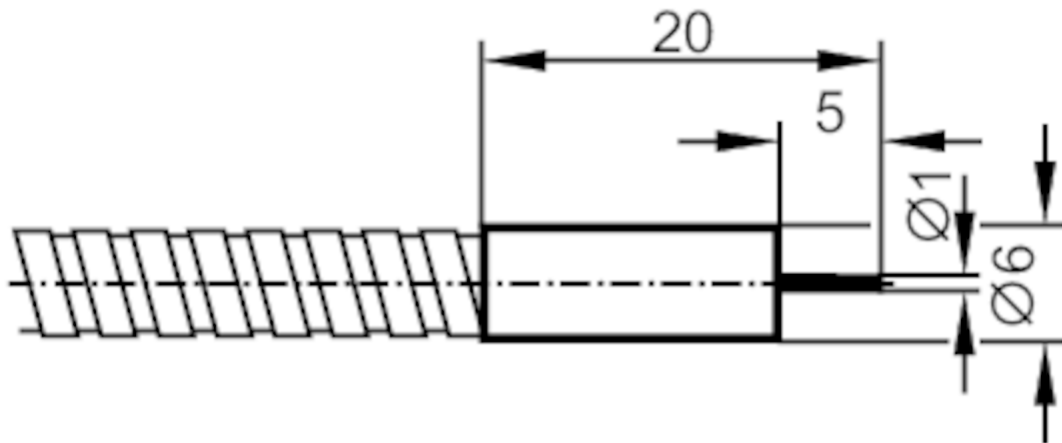


E20057



Fibre optic diffuse reflection sensor

FT-00-A-V-E1



Application

Function principle Diffuse reflection sensor

Detection zone

Range with fibre optic amplifier type OKF; OUF; OOF

OKF

Range fibre optics [mm] 8

OOF

Range fibre optics [mm] 24

OUF

Range fibre optics [mm] 8

Operating conditions

Ambient temperature [°C] -40...290

E20057



Fibre optic diffuse reflection sensor

FT-00-A-V-E1

Mechanical data	
Weight [g]	46
Version of sensing head	straight
Sensing head diameter [mm]	1
Sensing head length [mm]	5
Total length [mm]	600
Min. bending radius [mm]	20; (for fixed installation)
Fibre arrangement	Ⓢ
Materials	Adapter: ABS
Fibre material	glass
Fibre head material	stainless steel (1.4305 / 303)
Fibre sheath material	aluminium
Accessories	
Items supplied	E20103
Remarks	
Pack quantity	1 pcs.