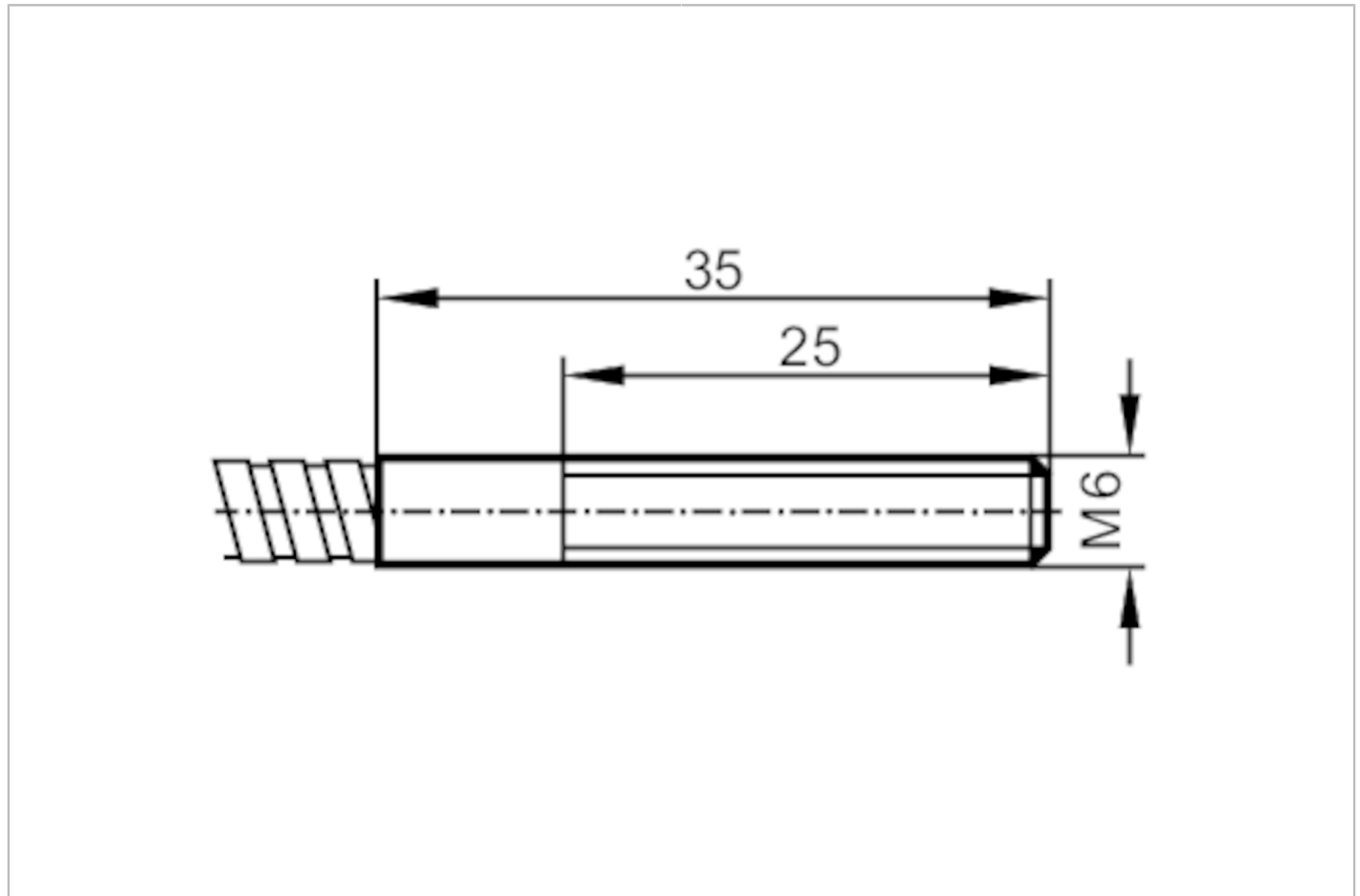


E20065



Fibre optic diffuse reflection sensor

FT-00-APA-M6/S 0,5M



Application	
Function principle	Diffuse reflection sensor
Detection zone	
Range with fibre optic amplifier type	OKF; OUF; OOF
OKF	
Range fibre optics [mm]	20
OUF	
Range fibre optics [mm]	220
OOF	
Range fibre optics [mm]	20
Operating conditions	
Ambient temperature [°C]	-20...80

E20065



Fibre optic diffuse reflection sensor

FT-00-APA-M6/S 0,5M

Mechanical data	
Weight [g]	42
Version of sensing head	straight
Sensing head thread	M6
Sensing head length [mm]	35
Total length [mm]	500
Min. bending radius [mm]	20; (for fixed installation)
Fibre arrangement	
Materials	Adapter: ABS
Fibre material	PMMA
Fibre head material	aluminium
Fibre sheath material	aluminium
Accessories	
Items supplied	hexagon nuts: 2 x M6, stainless steel
	tooth lock washers: 2
	knurled nut: 1 x M11
Remarks	
Pack quantity	1 pcs.