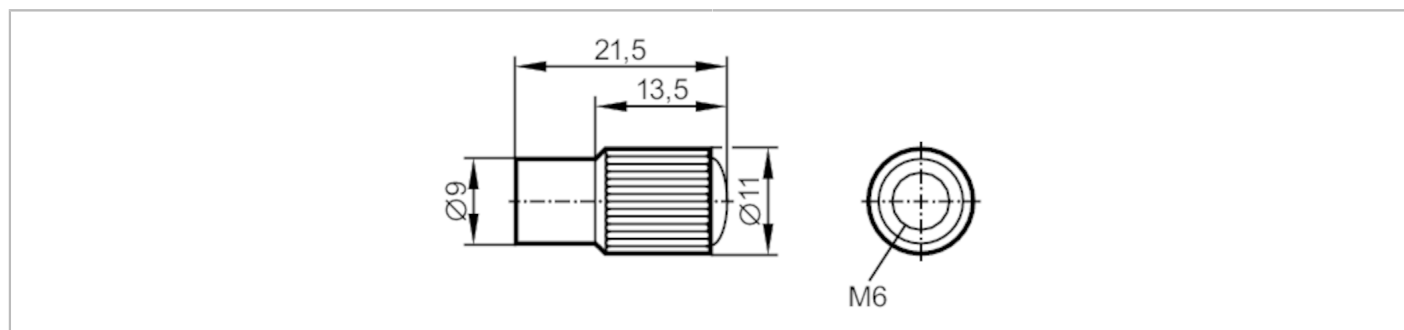


E20297



Lens attachment for fibre optics

LENS ATTACHMENT FE-30



Application	
Design	straight
Operating conditions	
Ambient temperature [°C]	-40...290
Mechanical data	
Weight [g]	7.2
Dimensions [mm]	11 x 11 x 21.5
Materials	stainless steel; glass lens
Remarks	
Pack quantity	1 pcs.