

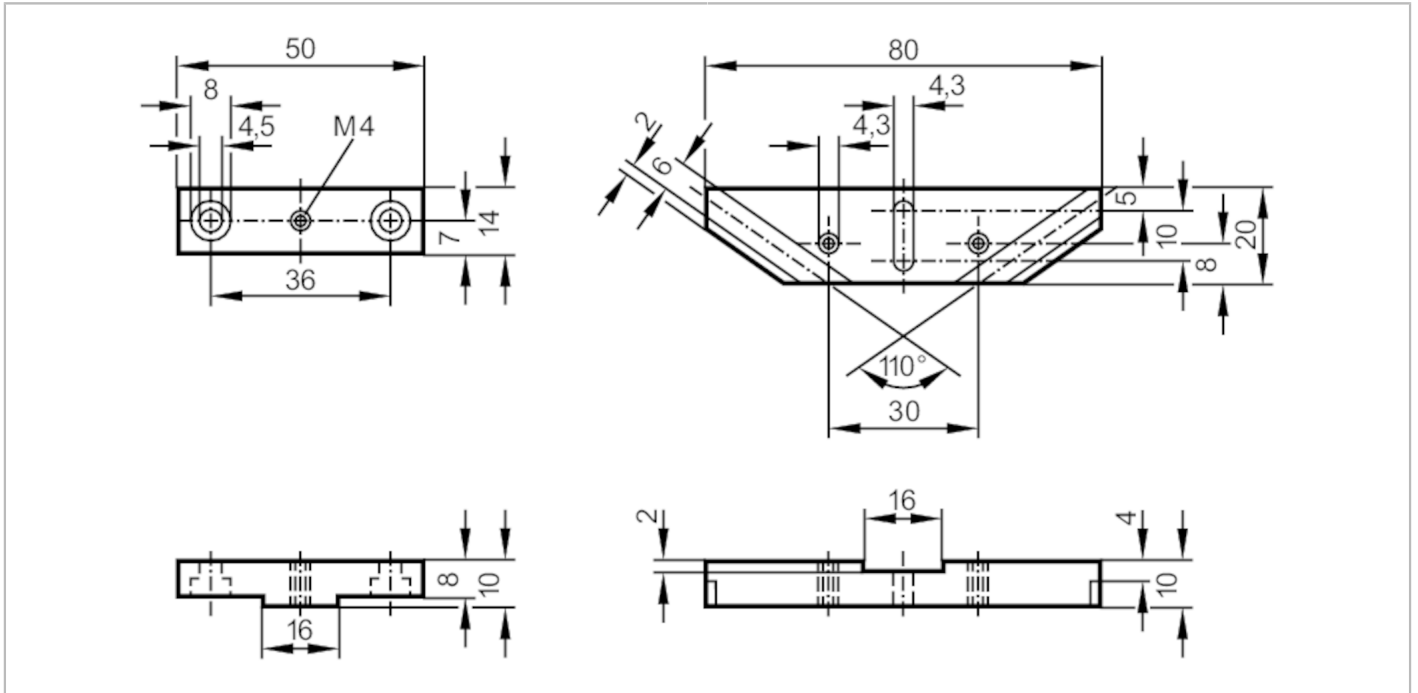
E20419



Angle support for fibre optics

ANGLE SUPPORT 110°

discontinued article



Application	
Design	for fibre optics
Mechanical data	
Weight [g]	56.2
Dimensions [mm]	18 x 80 x 20
Materials	aluminium black anodised
Remarks	
Pack quantity	1 pcs.