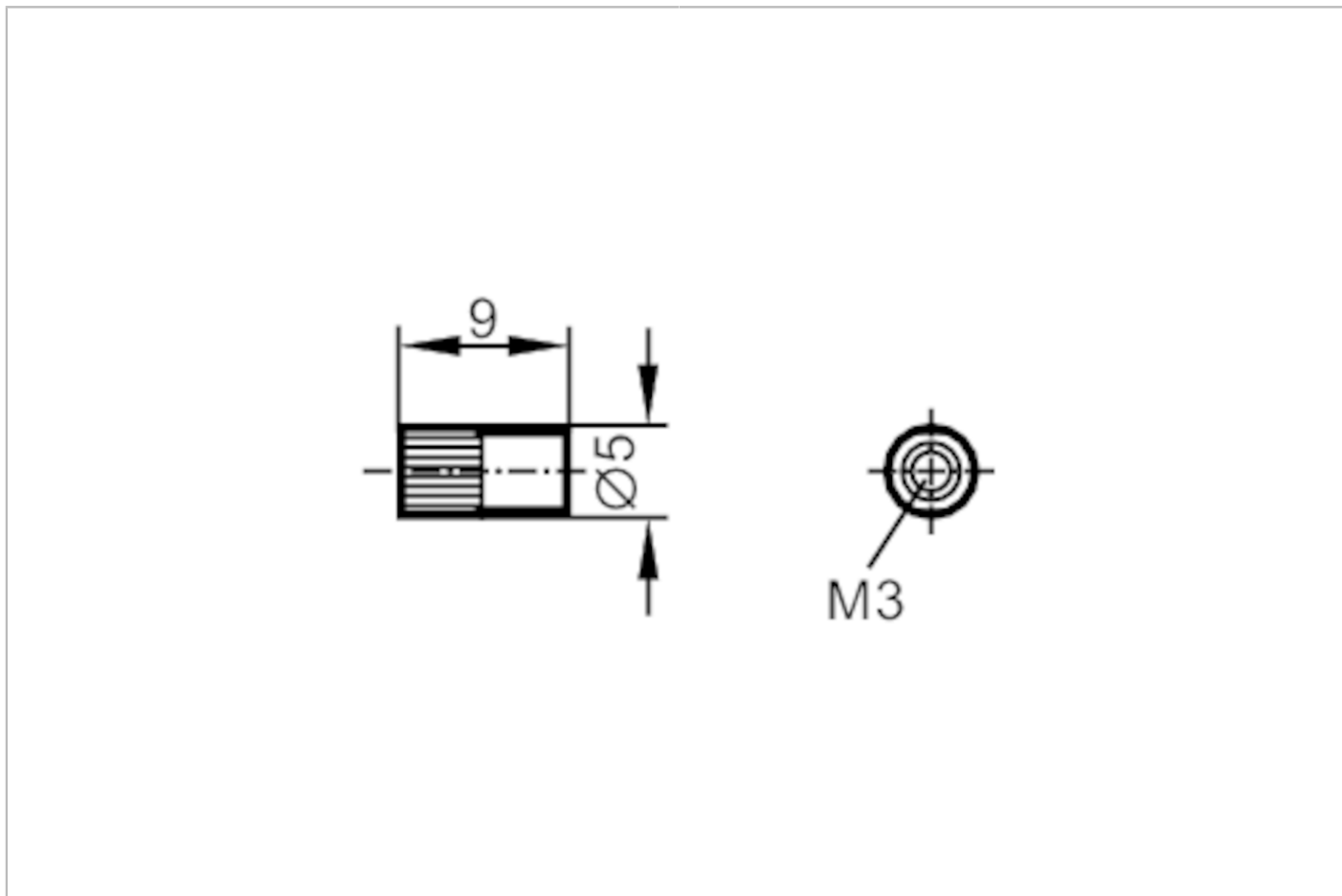




Lens attachment for fibre optics

LENS ATTACHMENT M3



Application	
Design	for through-beam fibre optics
Operating conditions	
Ambient temperature	[°C] -40...230
Mechanical data	
Weight	[g] 1.5
Dimensions	[mm] M3 / L = 9
Thread designation	M3
Materials	aluminium black anodised; glass
Remarks	
Pack quantity	1 pcs.