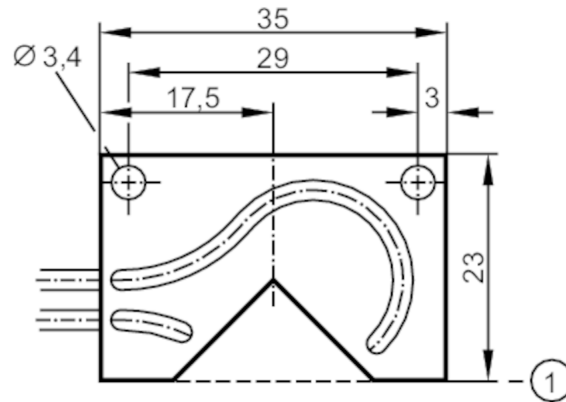


# E20756



## Fibre optic diffuse reflection sensor

FT-11-EPA-Q-/F2x1/2M



1 reference edge

Application	
Special feature	Background suppression
Function principle	Diffuse reflection sensor
Detection zone	
Range with fibre optic amplifier type	OB50; OBF
Background suppression available	yes
OB50	
Range fibre optics [mm]	6
OBF	
Range fibre optics [mm]	10
Operating conditions	
Ambient temperature [°C]	-40...70
Mechanical data	
Weight [g]	54
Sensing head height [mm]	5
Sensing head width [mm]	35
Sensing head length [mm]	23
Sensing head length [mm]	5 x 35 x 23
Total length [mm]	2000
Min. bending radius [mm]	10
Fibre arrangement	●
Core diameter [mm]	2 x 1
Fibre material	PMMA
Fibre head material	aluminium
Fibre sheath material	PE
Accessories	
Accessories (optional)	Cutter for fibre optics:, E20600
Remarks	
Pack quantity	1 pcs.